



FLEXi FX 1111

Manufacturer: RIM CZ s.r.o.

Design: Massimo Costaglia

FLEXi FX 1111

Swivel office chair with height-adjustable fully upholstered backrest. Flexibility of swivel chairs FLEXi is a choice of several types of upholstery, several types of mechanism and a number of accessories for comfortable seating.

Mechanism	Synchronous mechanism STF – provides maximum comfort and ergonomics thanks to smooth run and optimum adaptation to any user. The seat and the backrest follow movements of the seated person, synchronously and at the correct angle, with the option of 5 lock-in positions and backrest sloping of 23°. The quick and smooth adjustment of counter-pressure with a lever may be set within the range of approx. 40 – 120 kg of body weight. The seat sloping may be set within the range of -3° with the option of 3 lock-in positions of backrest, and with the backrest sloping of 20°.
Seat	Seat is filled with PUR foam thickness of 5 cm, bulk weight of 70 kg/m ³ , coated with fabric or leather. The front edge of the seat is sufficiently rounded to prevent undesired pressure on the bottom of the thighs of the seated person, ergonomic shape for correct and comfortable sitting posture. Plastic components are made of polyamide. Easily changeable upholstery. Height-adjustable seat within the range of 420– 540 mm.
Backrest	Backrest is made as a plastic frame with a central bracket in which, there is a plastic panel upholstered with PUR foam thickness of 2 cm, bulk weight of 55 kg/m ³ and coated with fabric or leather. Backrest is height-adjustable within the range of 60mm. Plastic components are made of polyamide.
Upholstery	To be selected from fabric or leather collection.
Base	Five-star base ø 68 cm, material polyamide.
Castors	Black hard castors ø 60 mm, braked – depending on the load, for soft floor surface (as per EN 12529). The chair does not move when released which reduces the risk of an accident.
Plastic components	Coloured, black. It provides colour stability even with deep scratches.
Armrests	091 – all plastic T-shaped armrests, height-adjustable within the range of 10 cm. The top of armrests is covered with softened PU. 099 – all plastic, T-shaped armrest, height-adjustable within the range of 10 cm, and with a simple movement (eccentric) width-adjustable within the range of 45 – 53 cm to increase the seating area. The top of armrests is covered with softened PU 086 – multifunctional, T-shaped armrests, all plastic or with polished aluminium holder. Height-adjustable within the range of 8 cm, and with pressing the side button allows 3cm side and 5cm forward movement. Top of armrests is covered with softened PU. 088 – multifunctional, T-shaped armrests, all plastic or with polished aluminium holder, height-adjustable within the range of 10 cm, armrest angle-adjustable within the range of 30°, and with a simple movement (eccentric) width-adjustable within the range of 45 – 53 cm to increase the seating area. The top of armrests is covered with softened PU.
Options	<ul style="list-style-type: none">• Cast aluminium base, polished or painted to RAL 9006• Adjustable lumbar support in the lower back area (3 cm)• Headrest• Coat hanger• Seat tilt including backrest -3°

- Gas unit with suspension
- Gas unit for seat height 450 – 570 mm
- Black soft castors Ø 60 mm, braked – depending on the load for hard floor surface (as per DIN EN 12529)
- Glides or felt glides for hard floor surface

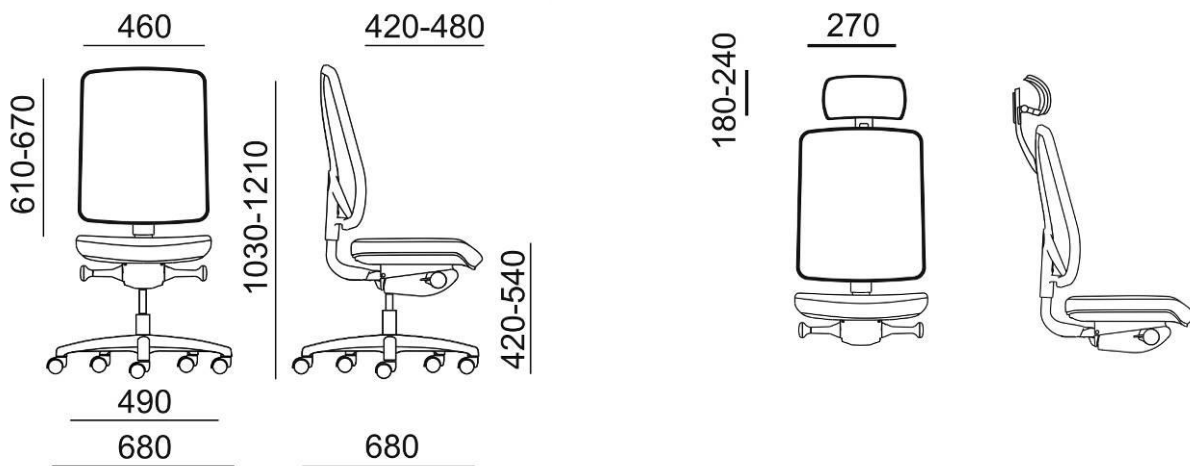
Certificate

This product complies with European dimension and safety standards as per EN 1335. All materials may be easily separated for waste separation and recycling. The chair meets the requirements for easy use, maintenance, and service.
QUALITY OFFICE

Warranty

5 years (see Business conditions)

Dimensions (in mm)



Concept FLEXi – fully upholstered backrest



FX 1111.088



FX 1112.099



FX 1113.099



FX 1171



FX 1172



FX 1173



FX 1174