

- › Gas lift monitor arm
- › Fine adjustable weight setting
- › Universal VESA 75&100 connection
- › Full 360° rotatable



Single 2 - 10 kg  
Double 9 - 21 kg

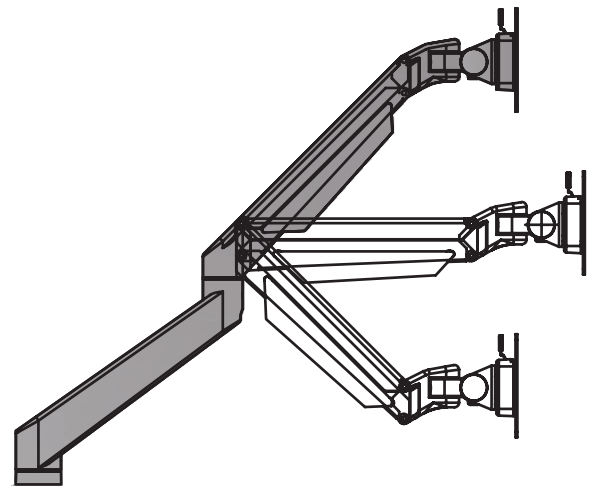


75&100

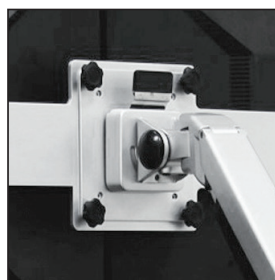
### Specifications

The Zoomflex is available as single version (IB210060W) with an adjustable range of 2 to 10 kg. If you have two monitors, you can use the Zoomflex Double (IB290250W) with an adjustable range of 9 to 21 kg. The Zoomflex comes standard with an M12 desk connector, desk clamps are optional: Zoom desk clamp IB260050W, Flex desk clamp IB230050W or Zoomflex desk clamp IB230150W.

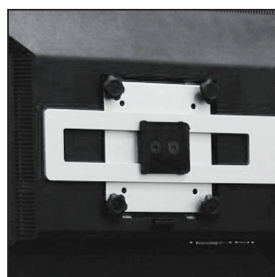
- › Height Adjustable: 475 mm
- › Horizontal reach: 490 mm
- › Tilting range: 90° downward and upward
- › Turntable fixed arm: 360° left and right
- › Turntable gas spring arm: 360° left and right
- › Turning range VESA kop: 90° left and right
- › VESA connection: 75 x 75 mm & 100 x 100 mm



You can change the strength of the gas lift with an allen key on the rear of the monitor arm. This allows you to adjust the monitor arm to the weight of your monitor.



It's easy to secure and disconnect the monitor by using the quick release mechanism.



With the four mounting points on the VESA connector, you can always mount the monitor correctly on the monitor arm.