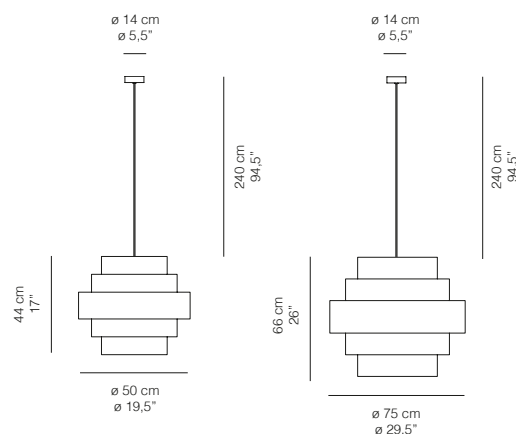


Lampada da sospensione costruita incastrando 96 volte sottilissimi fogli di tessuto bianco, rosso, nero o resina bianca. Rosone in metallo verniciato nero.

Suspended lamp made by slotting together 96 times very thin sheets of white textile fabric red, black or white resin. Support in black-painted metal.

Pendelleuchte die aus 96 dünnen aneinandergereihten Elementen aus weißem, roten oder schwarzen Stoff oder aus weißem Kunstharz besteht. Deckenrose schwarz lackiert.

Suspension construite en encastrant 96 fois des feuilles très mince en tissu blanc, rouge, noir ou résine blanche. Support en métal noir.



SUN / Design Brian Rasmussen





Sospensione / Suspended

MISURE / DIMENSIONS

CM. INCHES

	CM.	INCHES
SUN 50	50ø x 44-240H	19,5ø x 17-94,5H
SUN 75	75ø x 66-240H	29,5ø x 26-94,5H


SORGENTI LUMINOSE / LIGHT SOURCES

FLUO	LED
1x40W E27 	1x16W E27 
3x20W E27 	3x10W E27 

SUN 50

	COLORI / COLOURS
05SPWH50S	Tessuto Bianco / White Textile fabric
05SPRD50S	Tessuto Rosso / Red Textile fabric
05SPBK50S	Tessuto Nero / Black Textile fabric
05SPWH01	Resina Bianca / White resin

CERTIFICATIONS

SUN 75

	COLORI / COLOURS
05SPWH75S	Tessuto Bianco / White Textile fabric
05SPRD75S	Tessuto Rosso / Red Textile fabric
05SPBK75S	Tessuto Nero / Black Textile fabric
05SPWH75	Resina Bianca / White resin

CERTIFICATIONS

OPZIONI / OPTIONS

5MT Sospensione cablaggio lunghezza cavi mt. 5,00 / Suspended with longer cables mt. 5,00

05SPWH50S
05SPWH75S

05SPBK50S
05SPBK75S

05SPRD50S
05SPRD75S

05SPWH01
05SPWH75

