

TABLE LAMPS

04	<i>HUMAN CENTRIC LIGHTING</i>
06	<i>VITACORE® TECHNOLOGY</i>
07	<i>VITACORE® APP</i>
08	<i>LINEAR TABLE PRO</i>
14	<i>RADIAL TABLE PRO</i>
20	<i>LINEAR TABLE</i>
22	<i>RADIAL TABLE</i>
32	<i>LUCTRA® FEATURES</i>

The way light is used is evolving rapidly. Traditionally, space has been lit to help people perform tasks or create a certain mood but now the third dimension of light effects is coming to the fore; the targeted support artificial light can have on the biological rhythm. The right light at the right time improves wellbeing, providing greater powers of concentration and better quality of life overall.

LUCTRA® integrates these elements into everyday life using modern LED workplace lamps: individually adjustable, easy to use and timeless in appearance. LUCTRA® allows the user to retain control over optimum personal light quality – manually via the intuitive VITACORE® electronic panel, or using the app-controlled personal light profile.

The award-winning design integrates LUCTRA® seamlessly into modern office architecture. The high-quality finish of the German manufactured range confirms the LUCTRA® promise: perfect light for a perfect day.

Experience the LUCTRA® table lamps and let yourself be inspired by light in the third dimension.



reddot award 2015
winner



Nominated
2015

The biological effectiveness of LUCTRA® lamps on the human body's circadian rhythm was demonstrated in a clinical study under the guidance of sleep researcher Dr. Dieter Kunz.

HUMAN CENTRIC LIGHTING

Human Centric Lighting focuses on people's individual needs. Since the discovery of receptors containing melatonin, which is a hormone that makes us feel tired and encourages sleep at night, there is increased attention to the influence light has on health in addition to its role in visual tasks.

Each person has an individual biological rhythm. The better this inner rhythm is synchronised with our daily routines, the better we feel and the more efficiently we are able to work. Daylight is the signal generator, which synchronises our inner rhythm with the natural course of the day. LUCTRA® is a professional, biologically effective LED lighting range that closely replicates natural daylight, ensuring to support well-being and performance in the workplace in a targeted and effective way.



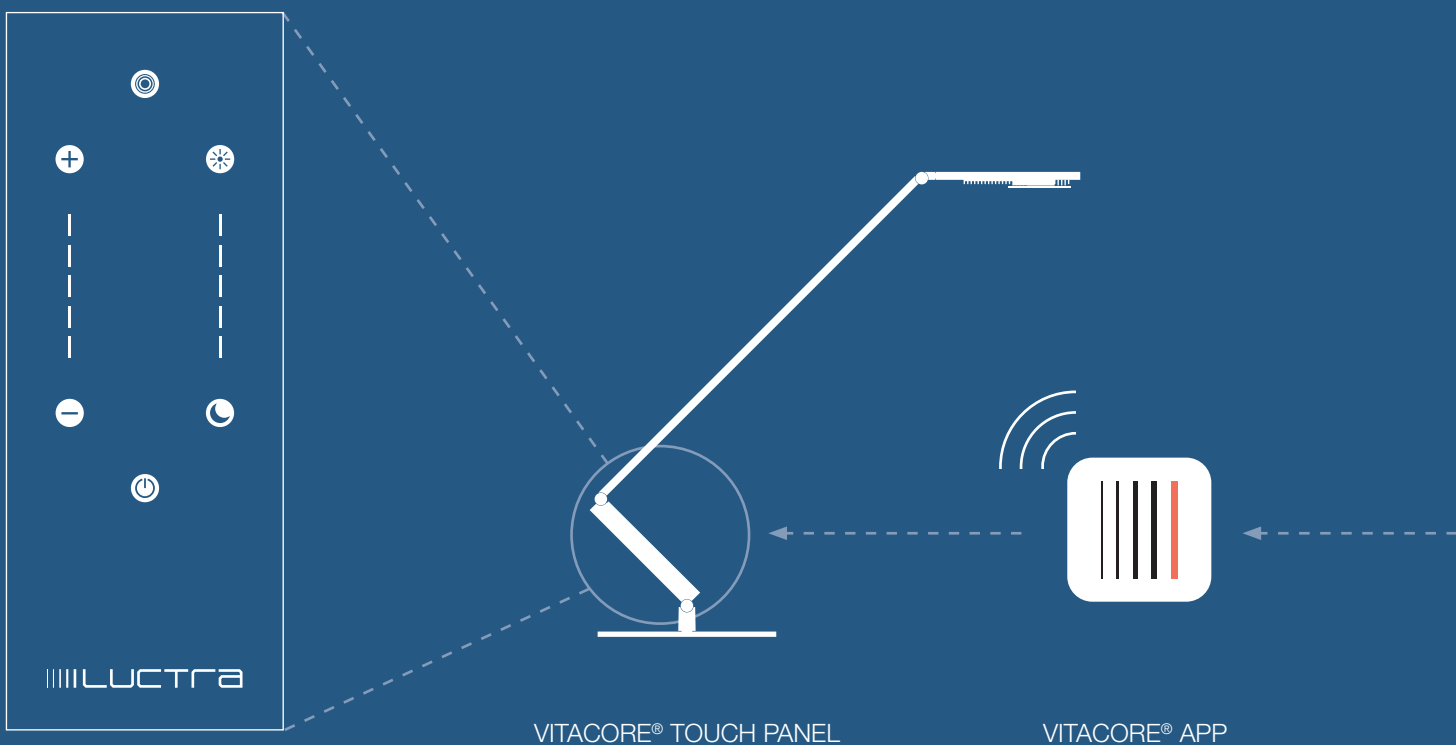
VITACORE[®] TECHNOLOGY

The heart of the LUCTRA[®] lamp range is the intelligent VITACORE[®] electronic system.

The sleek and unobtrusive user interface only becomes visible when it is touched, offering the user intuitive access to the LUCTRA[®] functions. High-quality components control the lamp precisely and reliably. The brightness and colour of the light can be adjusted with a high degree of accuracy simply by placing a finger on the touch panel.

A boost function is available for short-term maximum activation. By touching the boost symbol, the maximum light intensity of the cold white LEDs is activated. This function is automatically terminated after 30 minutes.

VITACORE[®] is patent pending.



VITACORE® APP

The VITACORE® app turns LUCTRA® into a personal and flexible lighting tool.

The app communicates via Bluetooth with the VITACORE® electronics. Depending on individual lighting settings, the app automatically varies the colour of the light thereby simulating the natural course of the day. The settings can be changed at any time and adjusted to individual tastes. The light setting is saved on the app and can be transferred to any LUCTRA® lamp. This makes LUCTRA® the ideal lighting range for modern office concepts with flexible workplaces.

Based on the answers to five simple questions, the VITACORE® app generates a personal 24-hour lighting sequence for the user:

1. What time does your work day start?
2. What time does your work day end?
3. When is your lunch break?
4. If you could choose your optimum working hours, which five consecutive hours would you choose?
5. What time of day do you feel most productive?



iOS



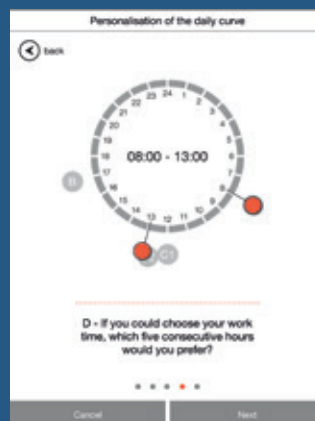
Android

The app is available as a free download for all current iOS and Android smartphones and tablet PCs.

Connection between app and lamp via Bluetooth



Activation of personal settings



Adjust light settings for the duration of the day



The performance of the VITACORE® technology and applications differ depending on the model.

LINEAR TABLE PRO

LINEAR TABLE PRO is the de-luxe table lamp combining the latest in LED technology with top-quality design and biological light effect. The stylish lamp heads with their open cooling fins dissipate the heat from the LEDs ensuring the operating temperature never rises above 40°C which allows for an extremely long service life of over 50,000 hours, low power consumption and consequently sustainability in every respect. Self-locking joints specially developed for LUCTRA® allow adjustment of the lamp to any desired position.

LINEAR TABLE PRO can be individually programmed via intelligent VITACORE® electronics. The brightness and colour of the light can be adjusted intuitively and with a high degree of accuracy simply by placing a finger on the touch panel. With only very low power consumption, CREE high-power LEDs generate illuminance levels of up to 1,000 lux at the desktop from a height of 75 cm. Two LEDs each generate cold white (bluish) or warm white (reddish) light. Through their joint operation a wide spectrum from 2,700 to 6,500 Kelvin is reached, which covers virtually the entire bandwidth of the natural spectrum of light.

The free VITACORE® app turns LUCTRA® into a flexible lighting tool: it allows setting of a 24-hour lighting sequence, which automatically varies the colour and intensity of light and therefore simulates the natural lighting sequence throughout the course of the day. In exceptional situations, when you need bright daylight really fast, the boost function will provide maximum light intensity for a short period. Another advantage: two integrated USB charging ports enable smartphones and tablet PCs to be charged directly on the lamp.

The optimum positioning of the lamp is provided by the three different standing or fixing features: Lamp base, clamp for attaching to a table or wall or pin for insertion into drill holes between 20 and 80 mm in diameter.

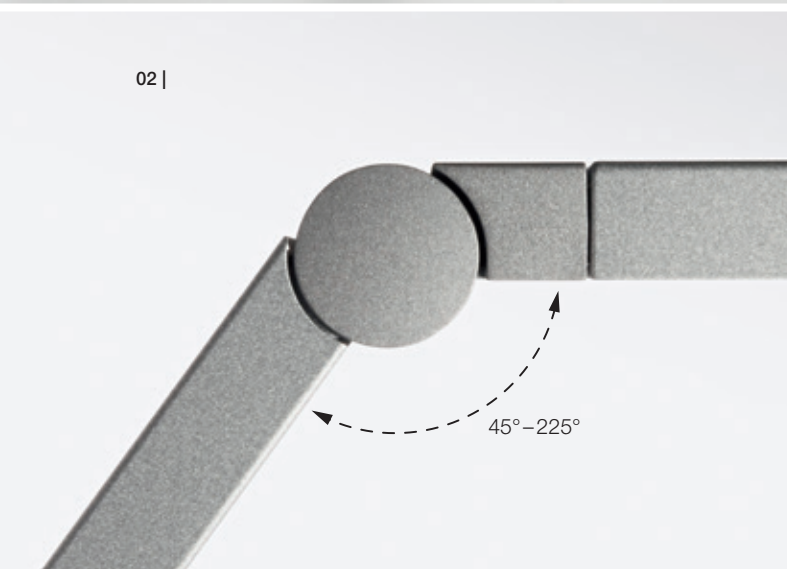


LINEAR TABLE PRO FEATURES

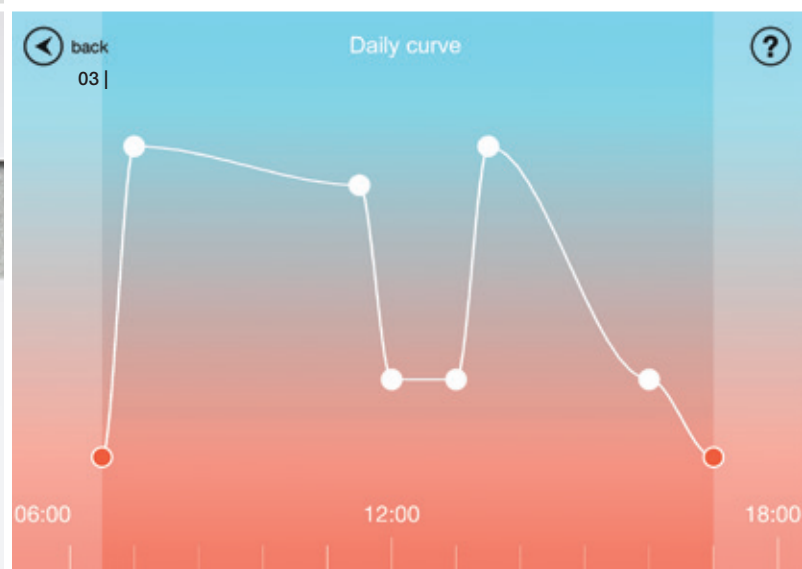


01 |

- 01 | Colour temperature adjustable from 2,700 to 6,500 Kelvin, boost function for short-term maximum activation, USB charging feature for smartphones and tablets
- 02 | Self-locking joints
- 03 | Adjustment of colour temperature to personal daily rhythm with VITACORE® app
- 04 | Flexibility through various fastening options (tabletop base, clamp to the table and wall mounting, table bolt)
- 05 | Two warm-white and two cold-white CREE high-power LEDs, high light illuminance of 1,000 lux at a height of 75 cm above the table surface, narrow tolerance binnings for high colour fidelity, high colour rendition with CRI \geq 85. Perfect temperature management for a long service life of well over 50,000 hours for LEDs



02 |



03 |



04 |

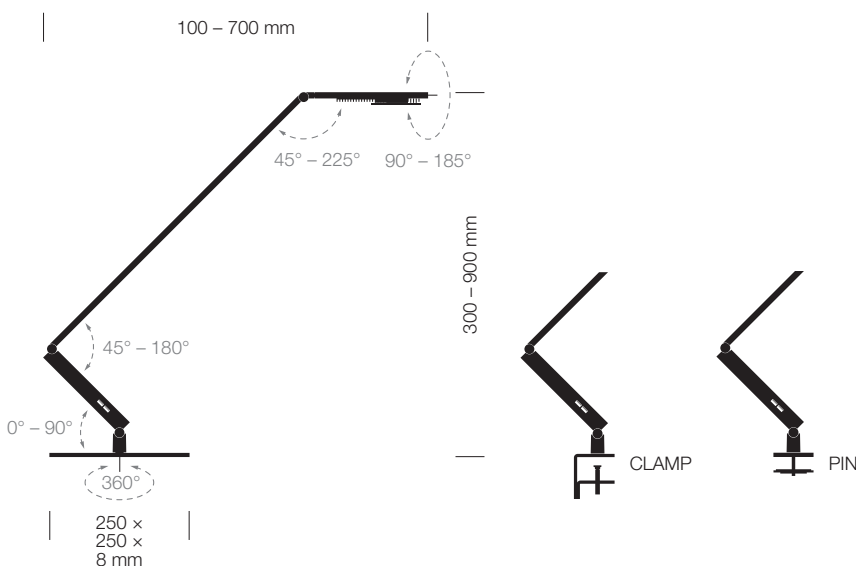


05 |

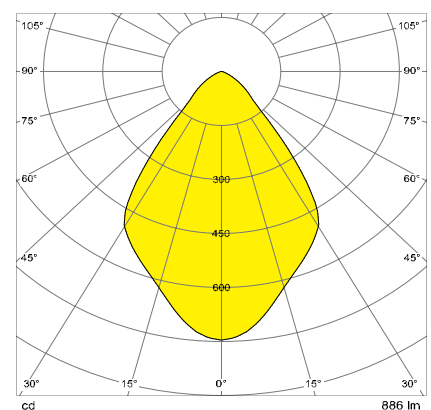


LINEAR TABLE PRO		
Product #	9215	with lamp base
	9217	with clamp
	9219	with pin
Colours	01 black 02 white 23 aluminium	
Dimensions	Height:	300 mm – 900 mm
	Radius:	100 mm – 700 mm
	Lamp base:	250 mm × 250 mm × 8 mm
	Clamp (W × D × H):	90 mm × 75 mm × 100 mm
	Pin (Ø):	90 mm
Material	Aluminium, zinc, steel (lamp base), glass, plastic	
Weight	9215: 6,5 kg 9217 and 9219: 2,5 kg	
Energy efficiency	A++*	
Protection type	IP 20	
Protection class	III ⚡	
Illuminants		
LEDs	2 cold white & 2 warm white LEDs (CREE)	
Power consumption	10,5 W**	
Luminous flux of luminaire:	neutral white 680 lm* Boost 900 lm**	
Light intensity	neutral white 566 cd* Boost 746 cd**	
Light intensity	1,000 lux at a height of 75 cm	
Luminous efficiency	neutral white 73 lm/W* Boost 75 lm/W**	
Colour temperature (CCT)	2.700 K <-----> 6.500 K	
Colour reproduction index	≥ 85	
Operating temperature on lamp head	≤ 40°C at 25°C ambient temperature	
Burning life	over 50,000 hours	
Standby consumption	≤ 0,5 W	
Nominal voltage	12–14 V DC	
Protection class	II ☐	
VITACORE®		
Operation	via VITACORE® electronics or app	
Light strength setting	stepless up to 1,000 lux	
Setting of light colour	stepless between 2,700 and 6,500 Kelvin	
Boost function	for maximal cold white lighting at 1,000 lux	
USB charging ports	2 ports	
Touch panel	made of glass	
Power supply unit		
Desktop power supply	Europlug & BS 1363 (British 3-pin) plug	
AC cable length	1,2 m	
DC cable length	1,8 m	

*with warm white and cold white LEDs switched on, touch panel switched off, USB charging ports not being used
 **with cold white LEDs switched on to 100%, touch panel switched off, USB charging ports not being used



LIGHT INTENSITY DISTRIBUTION



RADIAL TABLE PRO

A combination of light and stylish design is integral to the LUCTRA® range. RADIAL TABLE PRO is the alternative round-head design to the more geometric lines of the LINEAR models. RADIAL TABLE PRO is designed to meet human needs at the office workplace. Self locking joints allow the fluid movement of the lamp into any desired position and withstand up to 50,000 hinge movements without readjustment.

RADIAL TABLE PRO can be individually programmed via intelligent VITACORE® electronics. The brightness and colour of the light can be adjusted intuitively and with a high degree of accuracy simply by placing a finger on the touch panel. With only very low power consumption, CREE high-power LEDs generate illuminance levels of up to 1,000 lux at the desktop from a height of 75 cm. Two LEDs each generate cold white (bluish) or warm white (reddish) light. Through their joint operation a wide spectrum from 2,700 to 6,500 Kelvin is reached, which covers virtually the entire bandwidth of the natural spectrum of light.

The free VITACORE® app turns LUCTRA® into a flexible lighting tool: it allows setting of a 24-hour lighting sequence, which automatically varies the colour and intensity of light and therefore simulates the natural lighting sequence through the course of the day. In exceptional situations, when you need bright daylight really fast, the boost function will provide maximum light intensity for a short period. Another advantage: two integrated USB charging ports enable smartphones and tablet PCs to be charged directly on the lamp.

The optimum positioning of the lamp is provided by the three different standing or fixing features: Lamp base, clamp for attaching to a table or wall or pin for insertion into drill holes between 20 and 80 mm in diameter.



RADIAL TABLE PRO FEATURES

01 |



01 | Colour temperature adjustable from 2,700 to 6,500 Kelvin, boost function for short-term maximum activation, USB charging feature for smartphones and tablets

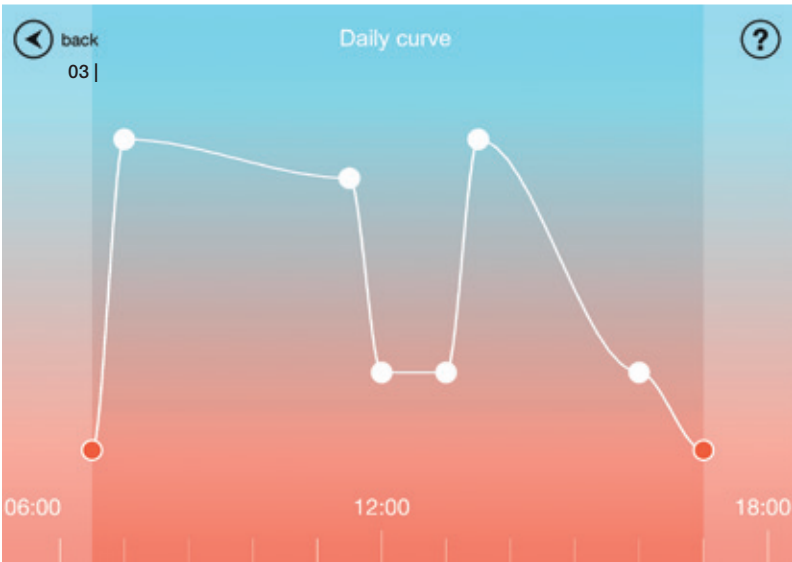
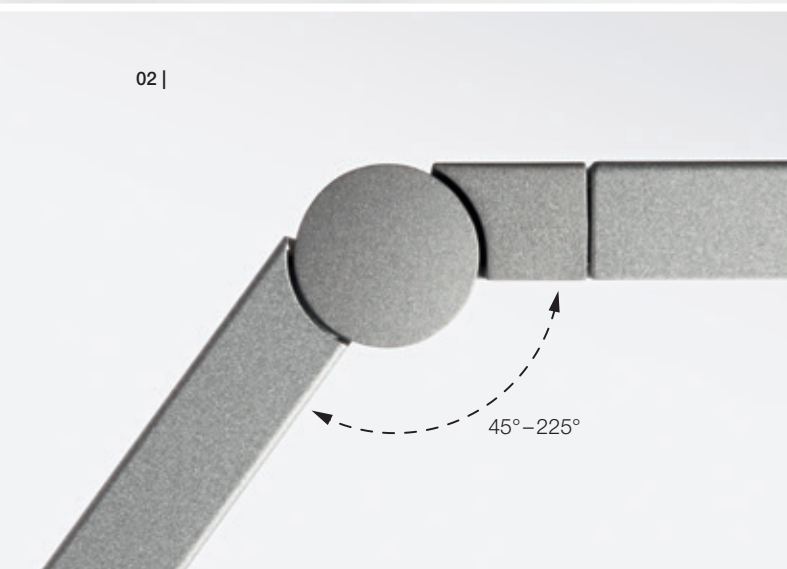
02 | Self-locking joints

03 | Adjustment of colour temperature to personal daily rhythm with VITACORE® app

04 | Flexibility through various fastening options (tabletop base, clamp to the table and wall mounting, table bolt)

05 | Two warm-white and two cold-white CREE high-power LEDs, high light illuminance of 1,000 lux at a height of 75 cm above the table surface, narrow tolerance binnings for high colour fidelity, high colour rendition with CRI \geq 85. Perfect temperature management for a long service life of well over 50,000 hours for LEDs

02 |





04 |

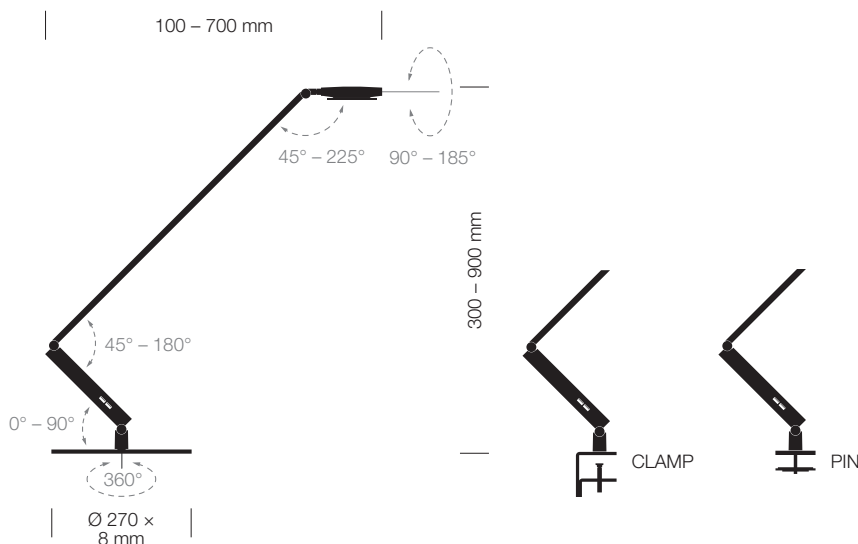


05 |

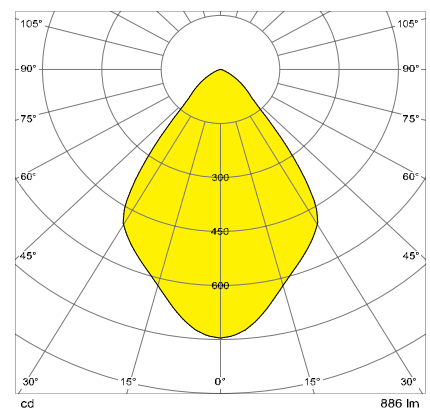


RADIAL TABLE PRO		
Product #	9216	with lamp base
	9218	with clamp
	9220	with pin
Colours	01 black 02 white 23 aluminium	
Dimensions	Height:	300 mm – 900 mm
	Radius:	100 mm – 700 mm
	Lamp base (Ø):	270 mm x 8 mm
	Clamp (W x D x H):	90 mm x 75 mm x 100 mm
	Pin (Ø):	90 mm
Material	Aluminium, zinc, steel (lamp base), glass, plastic	
Weight	9216: 5 kg 9218 and 9220: 2 kg	
Energy efficiency	A++*	
Protection type	IP 20	
Protection class	III ⚡	
Illuminants		
LEDs	2 cold white & 2 warm white LEDs (CREE)	
Power consumption	10,5 W**	
Luminous flux of luminaire:	neutral white 680 lm* Boost 900 lm**	
Light intensity	neutral white 566 cd* Boost 746 cd**	
Light intensity	1,000 lux at a height of 75 cm	
Luminous efficiency	neutral white 73 lm/W* Boost 75 lm/W**	
Colour temperature (CCT)	2.700 K <-----> 6.500 K	
Colour reproduction index	≥ 85	
Operating temperature on lamp head	≤ 40°C at 25°C ambient temperature	
Burning life	over 50,000 hours	
Standby consumption	≤ 0,5 W	
Nominal voltage	12–14 V DC	
Protection class	II ☐	
VITACORE®		
Operation	via VITACORE® electronics or app	
Light strength setting	stepless up to 1,000 lux	
Setting of light colour	stepless between 2,700 and 6,500 Kelvin	
Boost function	for maximal cold white lighting at 1,000 lux	
USB charging ports	2 ports	
Touch panel	made of glass	
Power supply unit		
Desktop power supply	Europlug & BS 1363 (British 3-pin) plug	
AC cable length	1,2 m	
DC cable length	1,8 m	

*with warm white and cold white LEDs switched on, touch panel switched off, USB charging ports not being used
 **with cold white LEDs switched on to 100%, touch panel switched off, USB charging ports not being used



LIGHT INTENSITY DISTRIBUTION



LINEAR TABLE

With its VITACORE® touch panel, premium LED technology and ease of use, the entry level model stands at a compact 60 centimetre height and offers the same lighting benefits which make LUCTRA® the ideal lamp for the workplace. The basic model offers three different light temperature settings: 2,700 Kelvin with a high proportion of red like in a sunset, 3,600 Kelvin comparable to the light of mornings and afternoons, and 6,500 Kelvin with a high proportion of blue such as in natural daylight. In addition to the light colour settings, the basic model in the LUCTRA® range can also be set to five different light intensity settings. Operation is easy via the electronic VITACORE® touch panel which can be activated by a simple touch.

With only very low power consumption, CREE high-power LEDs generate illuminance levels of up to 1,000 lux at the desktop from a height of 60 cm. The lamp heads dissipate the heat from the LEDs effectively with the help of their specially designed cooling fins, so that the operating temperature of the LEDs never rises above 40°C. Thanks to high-quality, self-locking joints, the desktop lamp can be adjusted precisely into any desired position.



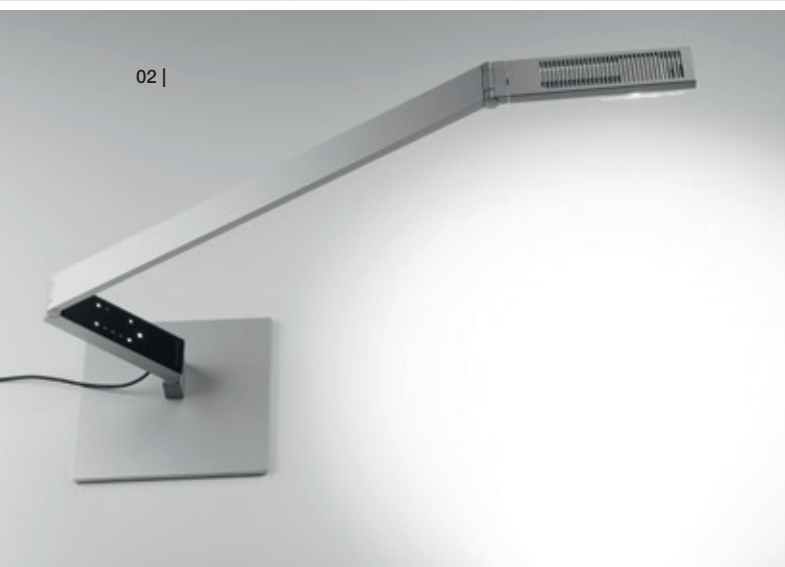
LINEAR TABLE FEATURES

01 |

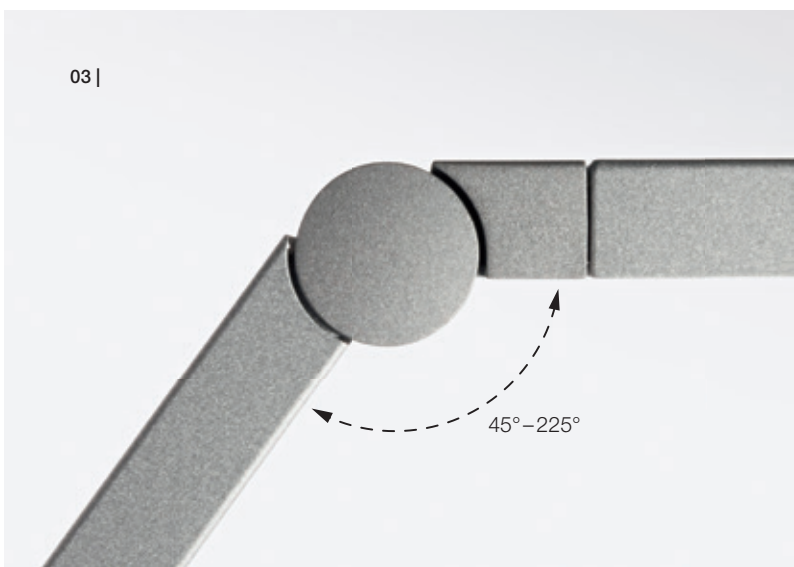


- 01 | Perfect temperature management for a long service life of well over 50,000 hours for LEDs
- 02 | High light illuminance of 1,000 lux at a height of 60 cm above the table surface
- 03 | Self-locking joints
- 04 | Colour temperature adjustable for three levels (2,700 | 3,600 | 6,500 Kelvin)
- 05 | Two warm-white and two cold-white CREE high-power LEDs, narrow tolerance binnings for high colour fidelity, high colour rendition with CRI \geq 85

02 |



03 |





04 |

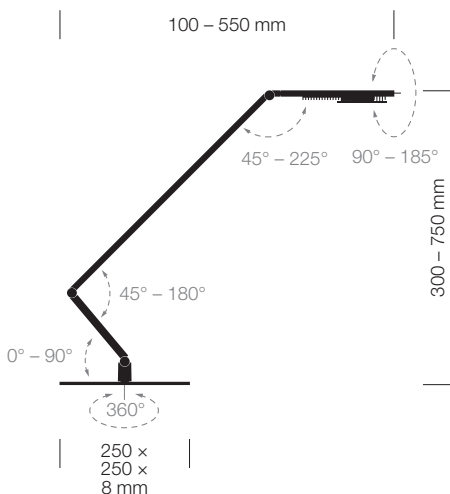


05 |

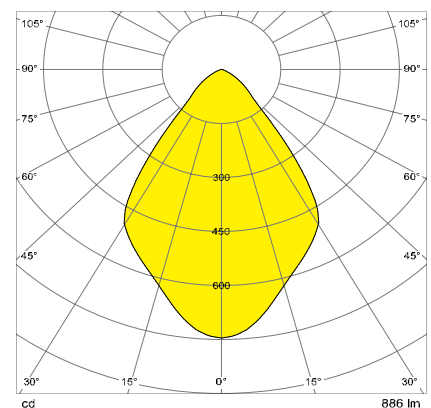


LINEAR TABLE	
Product #	9201
Colours	01 black 02 white 23 aluminium
Dimensions	Height: 300 mm – 750 mm
	Radius: 100 mm – 550 mm
	Lamp base: 250 mm × 250 mm × 8 mm
Material	Aluminium, zinc, steel (lamp base), plastic
Weight	6 kg
Energy efficiency	A++*
Protection type	IP 20
Protection class	III ⚡
Illuminants	
LEDs	2 cold white & 2 warm white LEDs (CREE)
Power consumption	9,5 W**
Luminous flux of luminaire:	neutral white 680 lm*
Light intensity	neutral white 566 cd*
Light intensity	1,000 lux at a height of 60 cm
Luminous efficiency	neutral white 73 lm/W*
Colour temperature (CCT)	2.700 K/3.600/6.500 K
Colour reproduction index	> 85
Operating temperature on lamp head	≤ 40°C at 25°C ambient temperature
Burning life	over 50,000 hours
Standby consumption	≤ 0,5 W
Nominal voltage	12–14 V DC
Protection class	II ☑
VITACORE®	
Operation	via VITACORE® electronics
Light strength setting	in 5 steps up to 1,000 lux
Setting of light colour	in 3 steps 2,700 / 3,600 / 6,500 K
Touch panel	made of acrylic glass
Power supply unit	
Desktop power supply	Europlug & BS 1363 (British 3-pin) plug
DC cable length	1,5 m

*with warm white and cold white LEDs switched on
 **with cold white LEDs switched on to 100%



LIGHT INTENSITY DISTRIBUTION



RADIAL TABLE

The entry-level model of the RADIAL product line is also consistently designed to meet human needs at the office workplace. With only minor differences in equipment, it offers the same features as the PRO model, which is ten centimetres higher, making it a great addition to any workspace.

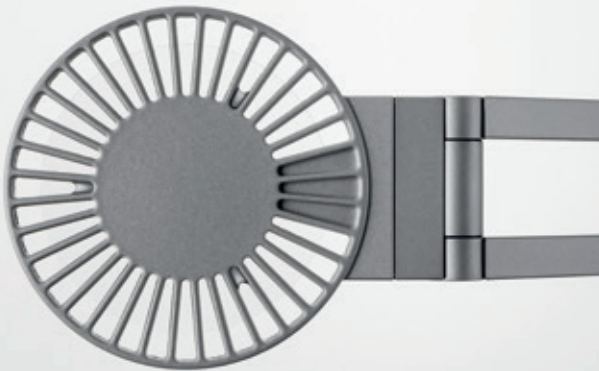
RADIAL TABLE offers three different light temperature settings: 2,700 Kelvin with a high proportion of red like in a sunset, 3,600 Kelvin comparable to the light of mornings and afternoons, and 6,500 Kelvin with a high proportion of blue such as in natural daylight. In addition to the light colour settings, the basic model in the LUCTRA® range can also be set to five different light intensity settings. Operation is easy via the electronic VITACORE® panel, activated by a simple touch.

With only very low power consumption, CREE high-power LEDs generate illuminance levels of up to 1,000 lux at the desktop from a height of 60 cm. The lamp heads dissipate the heat from the LEDs effectively with the help of their specially designed cooling fins, so that the operating temperature of the LEDs never rises above 40°C. Thanks to high-quality, self-locking joints, the desktop lamp can be adjusted precisely into any desired position.



RADIAL TABLE FEATURES

01 |

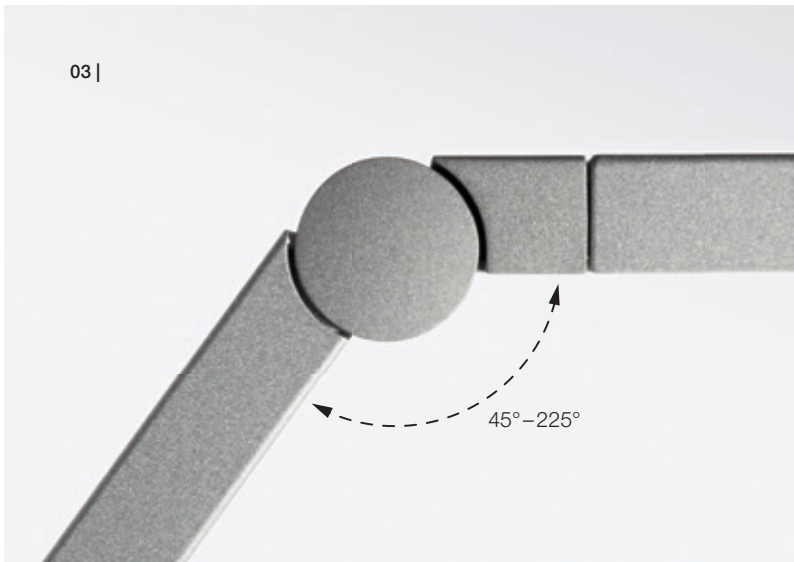


- 01 | Perfect temperature management for a long service life of well over 50,000 hours for LEDs
- 02 | High light illuminance of 1,000 lux at a height of 60 cm above the table surface
- 03 | Self-locking joints
- 04 | Colour temperature adjustable for three levels (2,700 | 3,600 | 6,500 Kelvin)
- 05 | Two warm-white and two cold-white CREE high-power LEDs, narrow tolerance binnings for high colour fidelity, high colour rendition with CRI \geq 85

02 |



03 |





04 |

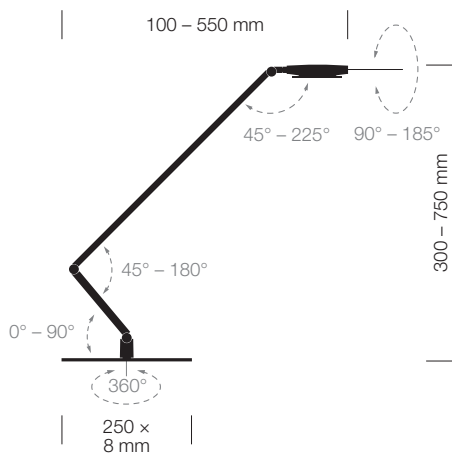


05 |

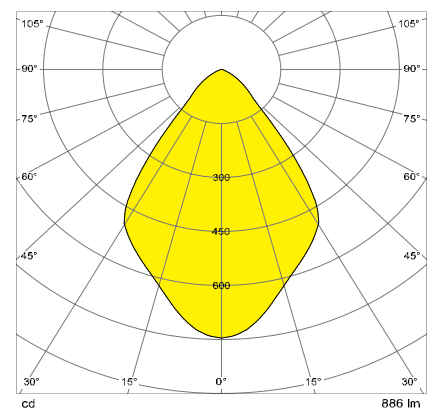


RADIAL TABLE	
Product #	9202
Colours	01 black 02 white 23 aluminium
Dimensions	Height: 300 mm – 750 mm
	Radius: 100 mm – 550 mm
	Lamp base (Ø): 250 mm × 8 mm
Material	Aluminium, zinc, steel (lamp base), plastic
Weight	4,5 kg
Energy efficiency	A++*
Protection type	IP 20
Protection class	III ⚡
Illuminants	
LEDs	2 cold white & 2 warm white LEDs (CREE)
Power consumption	9,5 W**
Luminous flux of luminaire:	neutral white 680 lm*
Light intensity	neutral white 566 cd*
Light intensity	1,000 lux at a height of 60 cm
Luminous efficiency	neutral white 73 lm/W*
Colour temperature (CCT)	2.700 K/3.600/6.500 K
Colour reproduction index	≥ 85
Operating temperature on lamp head	≤ 40°C at 25°C ambient temperature
Burning life	over 50,000 hours
Standby consumption	≤ 0,5 W
Nominal voltage	12–14 V DC
Protection class	II ⚡
VITACORE®	
Operation	via VITACORE® electronics
Light strength setting	in 5 steps up to 1,000 lux
Setting of light colour	in 3 steps 2,700 / 3,600 / 6,500 K
Touch panel	made of acrylic glass
Power supply unit	
Desktop power supply	Europlug & BS 1363 (British 3-pin) plug
AC cable length	1,2 m
DC cable length	1,5 m

*with warm white and cold white LEDs switched on
 **with cold white LEDs switched on to 100%

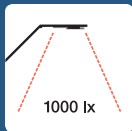


LIGHT INTENSITY DISTRIBUTION



LUCTRA® FEATURES

THE LIGHT



High illuminance of 1,000 lux at 75 cm height above desk top.



4 high power LEDs warm white and cold white.



Perfect heat management for long lasting durability.



Enhanced wellbeing through Human Centric Lighting.



Even workplace illumination.



High Colour Rendering Index ≥ 85 .



Fine binning for maximum colour fidelity.

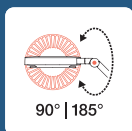


Premium LEDs from CREE.

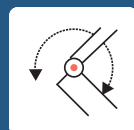
THE MECHANICS



Premium lamp using high quality craftsmanship - Made in Germany.



Swivel heads for direct and indirect illumination.



Self locking hinges.



Perfect heat management for long lasting durability.

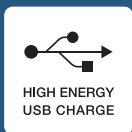
THE ELECTRONICS



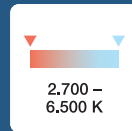
Colour temperature adjustable to personal circadian rhythm via VITACORE® app.



Adjustable colour temperature from 2,700 up to 6,500 K by intelligent VITACORE® electronic.



USB charging for smartphones and tablets.



Adjustable colour temperature from 2,700 up to 6,500 K.



No flickering due to high frequency PDM dimming.

FREE SERVICE HOTLINE

Do you have questions or suggestions?

The LUCTRA® team can be reached at the free service hotline 00800 00582872*

*from most European countries. Alternatively please dial: +49 2371 662445

CONTACT

DEUTSCHLAND, ÖSTERREICH, SCHWEIZ

DURABLE Hunke & Jochheim GmbH & Co. KG
Westfalenstraße 77–79 · 58636 Iserlohn
Postfach 1753 · 58634 Iserlohn
Kostenlose Service Hotline 00800 00582872
Telefon 02371 662445
info@luctra.de · www.luctra.de

INTERNATIONAL

DURABLE · Hunke & Jochheim GmbH & Co. KG
Westfalenstraße 77–79 · 58636 Iserlohn
P.O. Box 1753 · 58634 Iserlohn · Germany
Freecall 00800 00582872 · Phone +49 2371 662445
info@luctra.de · www.luctra.eu

UNITED KINGDOM, IRELAND

DURABLE (UK) Ltd.
10 Nimrod Way, Wimborne,
Dorset, BH21 7SH
Freecall 00800 00582872 · Phone 01202 85 11 30
enquiries@luctra-uk.com · www.luctra.co.uk

FRANCE

DURABLE France S.A.S
Immeuble Le Tryalis · 9, rue de Rosny · 93100 Montreuil
Service Hotline Gratuit 00800 00582872
Téléphone 01 48 12 10 90
luctra@ durable.fr · www.luctra.fr

BELGIUM

DURABLE Belgium N.V./S.A.
Industriepark 14/101 · 9031 Gent-Drogen
Gratis service hotline 00800 00582872
Tel. 09/281 26 44/45
info@luctra.de · www.luctra-nl.com

NEDERLAND

DURABLE Nederland B.V.
Monierweg 3 · 7741 KV Coevorden
Gratis service hotline 00800 00582872
Tel. 0416543543
info@luctra.de · www.luctra-nl.com

SWEDEN, DENMARK, NORWAY, FINLAND

DURABLE SCANDINAVIA AB
Fågelsångsvägen 4B · 186 42 Vallentuna
Box 4 · 186 21 Vallentuna
Kostnadsfri support 00800 00582872
Telefon 08 - 630 11 50
info@ durable.se · www.luctra.se

ITALIA

DURABLE Italia S.r.l
Via Greppi Dr. Pietro, 15/B · 23824 Dervio (LC)
Hotline gratuita 00800 00582872
Tel: 0341 807806
info@luctra.de · www.luctra.it

POLSKA

Biuro Obsługi Klienta DURABLE Polska
Al.Kasztanowa 10 · 72-005 Przeclaw
Darma infolinia obsługi klienta 00800 00582872
Tel 091 432-40-70
info@luctra.de · www.luctra.pl

RUSSIA

Представительство фирмы DURABLE в России
Москва, 125438, ул. Михалковская, дом 63Б корп. 3
Бесплатная горячая линия 00800 00582872
Тел\Факс: +7 495 601 9213
info@luctra.de · www.luctra-ru.com

