

PERFFECT
DAY
LIGHT

04	<i>HUMAN CENTRIC LIGHTING</i>
08	<i>PERFECT OFFICE LIGHTING</i>
10	<i>LATEST LED TECHNOLOGY</i>
12	<i>PERFECT INDIVIDUAL LIGHTING</i>
14	<i>VITACORE® TECHNOLOGY</i>
15	<i>VITACORE® APP</i>
16	<i>DESIGN AND QUALITY MADE IN GERMANY</i>
18	<i>LUCTRA® – DEVELOPED FOR THE OFFICE</i>
22	<i>LUCTRA® PRODUCTS</i>
24	<i>TABLE LAMPS</i>
38	<i>FLOOR LAMPS</i>
52	<i>PORTABLE LAMPS</i>
58	<i>LUCTRA® CREATES A PRODUCTIVE ENVIRONMENT</i>
62	<i>LUCTRA® FEATURES</i>
64	<i>CONTACT</i>

The way light is used is evolving rapidly. Traditionally, space has been lit to help people perform tasks or create a certain mood but now the third dimension of light effects is coming to the fore; the targeted support artificial light can have on the biological rhythm. The right light at the right time improves wellbeing, provides greater powers of concentration and better quality of life overall.

LUCTRA® integrates these elements into everyday life using modern LED workplace lamps: individually adjustable, easy to use and timeless in appearance. LUCTRA® allows the user to retain control over optimum personal light quality – manually via the intuitive VITACORE® electronic panel, or using the app-controlled personal light profile.

The award-winning design integrates LUCTRA® seamlessly into modern office architecture. The high-quality finish of the German manufactured range confirms the LUCTRA® promise: perfect light for a perfect day.

Experience the LUCTRA® lamp range and let yourself be inspired by light in the third dimension.



reddot award 2016
honourable mention



The biological effectiveness of LUCTRA® lamps on the human body's circadian rhythm was demonstrated in a clinical study under the guidance of sleep researcher Dr. Dieter Kunz.

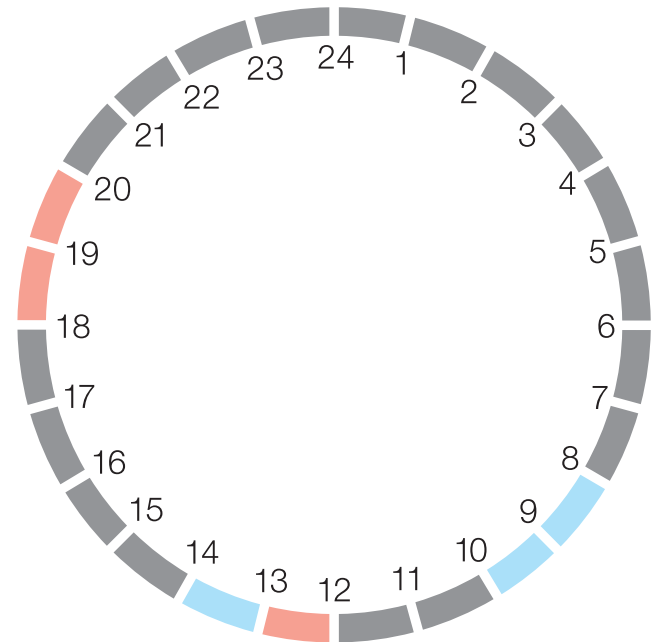
HUMAN CENTRIC LIGHTING

Human Centric Lighting focuses on people's individual needs. Since the discovery of receptors containing melatonin, which is a hormone that makes us feel tired and encourages sleep at night, there is increased attention on the influence light has on health in addition to its role in visual tasks.

Each person has an individual biological rhythm. The better this inner rhythm is synchronised with our daily routines, the better we feel and the more efficiently we are able to work. Daylight is the signal generator, which synchronises our inner rhythm with the natural course of the day.

LUCTRA® is a professional, biologically effective LED lighting range that closely replicates natural daylight to support well-being and performance in the workplace in a targeted and effective way.





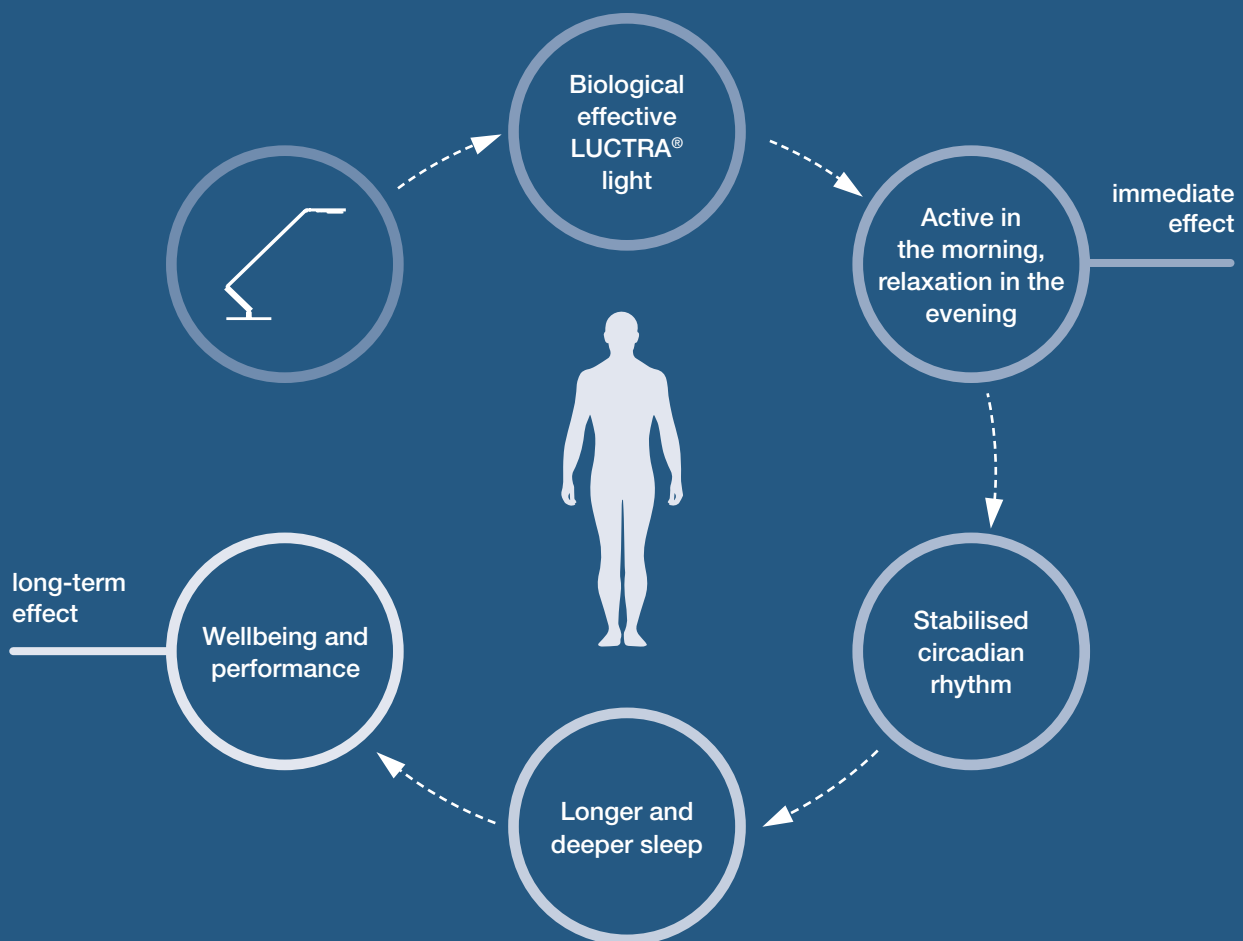
The right lighting helps you stay healthy and the ideal light is natural sunlight. Over 4 million years of evolution, the cycle of day and night has shaped us. This continuously recurring rhythm has genetically anchored itself in our biology as a system of internal clocks. This system regulates the biological processes in our body and harmonises them with each other and is called the “circadian” daily rhythm. Disturbances to the circadian rhythm can have serious consequences to well-being and performance in the short term and health in the long term. Insomnia, irritability and lack of concentration are some of the immediate symptoms.

- Activating light with 6,500 Kelvin
Bluish light temperature
- Soothing light with 2,700 Kelvin
Reddish light temperature
- Adjust lighting levels to the
personal optic needs

Light is the key factor that stimulates and stabilises this inner rhythm. Cold-white, blue-enriched light wakes us in the morning and warm-white, red-enriched light in the evening is a signal to relax. In addition to these short-term effects, light also stabilises the circadian rhythm in the long term. This leads to greater well-being, which in turn leads to improved performance.

The LUCTRA® LED lamp covers virtually the entire colour spectrum of sunlight so therefore it can have a stabilising effect on our biological rhythm.

BIOLOGICALLY EFFECTIVE LIGHT STABILISES THE INTERNAL CLOCK





LUCTRA® can respond to the individual lighting needs of every user, so it is perfect for workplace lighting.

PERFECT OFFICE LIGHTING

The importance of good workplace lighting for the well-being and productivity of employees has been proven in studies. Providing the right lighting for employees to complete tasks has always been important and now modern LED lighting is providing new benefits. With its proven biological effectiveness, LUCTRA® redefines the quality of lighting in the workplace – it is a visible, long-term investment in employees and the quality of their work.

LATEST LED TECHNOLOGY

High luminous efficiency with low energy consumption, a colour spectrum similar to daylight, and a long lifetime are some of the outstanding features of LUCTRA® LED technology. LUCTRA® lamps with their high intensity and even light distribution bring a quality of light to the workplace which is virtually equal to daylight.

LUCTRA® is equipped with four high-performance CREE LEDs that have a very low power consumption and generates illuminance of up to 1000 lux. Light intensity of 500 to 750 lux is recommended for workplaces and LUCTRA® exceeds this by a considerable margin.

Two LEDs generate cold white (bluish) light while the other two create a warm white (reddish) light. Through their joint operation, a wide Kelvin range of 2,700K to 6,500K is reached, which covers virtually the entire bandwidth of the natural spectrum of light. To fully exploit the potential of the high performance LEDs, the lamp heads have been specially designed with open cooling fins to effectively manage the heat produced by the LEDs. By dissipating the heat very efficiently – the operating temperature of the heads hardly rises above 40°C during continued use – their very design guarantees an extremely long service life of well over 50,000 hours for the LEDs.

The wide colour spectrum of LUCTRA® lamps allows users to set the desired light colour precisely and provide a uniform illumination in their work space.



≈ 2.700 Kelvin



≈ 3.600 Kelvin



≈ 6.500 Kelvin

The VITACORE® app simulates natural light changes and makes LUCTRA® a lighting instrument for modern, flexible office concepts.

PERFECT INDIVIDUAL LIGHTING

Thanks to the intelligent VITACORE® electronics, all LUCTRA® lamps can be operated intuitively: The brightness and colour of the light are continuously adjustable by simply placing a finger on the touch panel. The VITACORE® app also allows you to create an individual lighting profile and a 24-hour light schedule that automatically simulates the natural course of the day by the variation of the colour of the light.



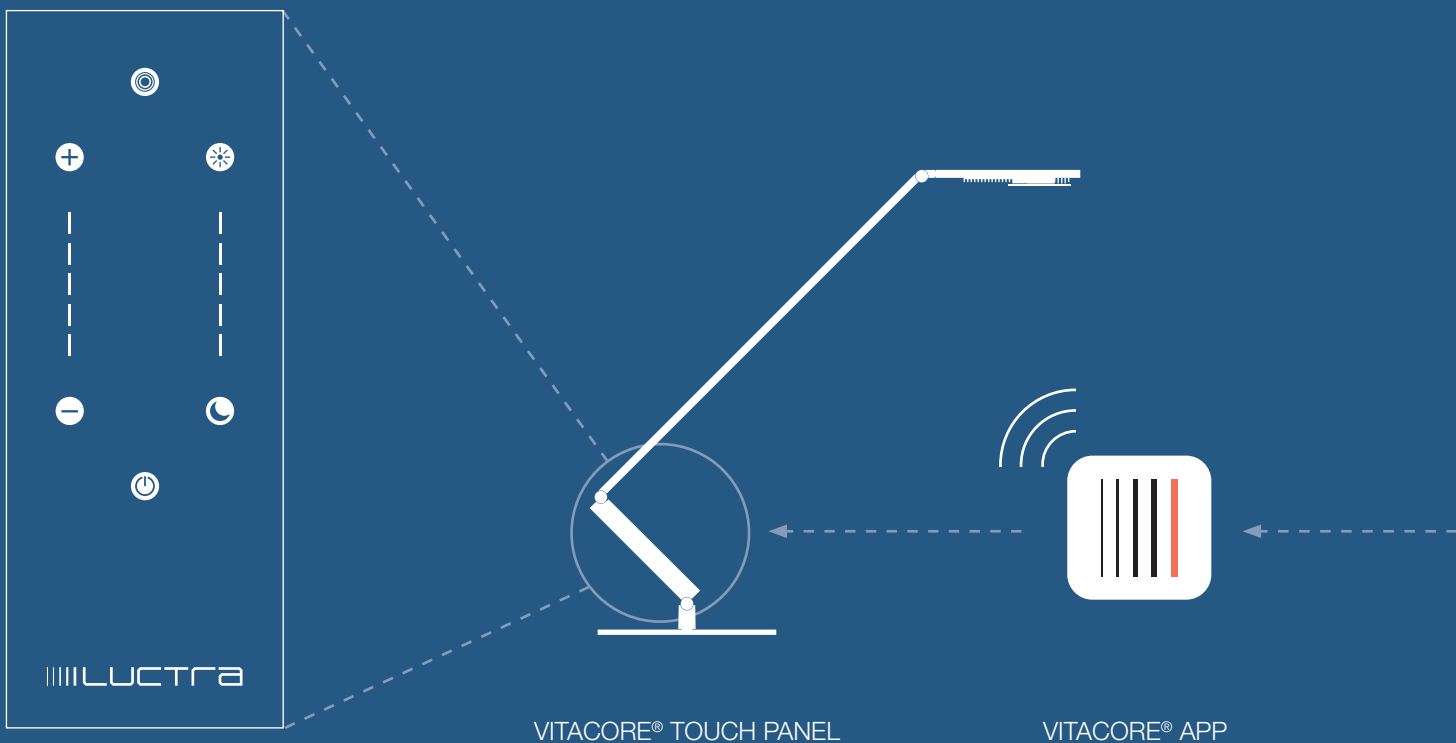
VITACORE® TECHNOLOGY

The heart of the LUCTRA® lamp range is the intelligent VITACORE® electronic system.

The sleek and unobtrusive user interface only becomes visible when it is touched, offering the user intuitive access to the LUCTRA® functions. High-quality components control the lamp precisely and reliably. The brightness and colour of the light can be adjusted with a high degree of accuracy simply by placing a finger on the touch panel.

A boost function is available for short-term maximum activation. By touching the boost symbol, the maximum light intensity of the cold white LEDs is activated. This function is automatically terminated after 30 minutes.

VITACORE® is patent pending.



VITACORE® APP

The VITACORE® app turns LUCTRA® into a personal and flexible lighting tool.

The app communicates via Bluetooth with the VITACORE® electronics. Depending on individual lighting settings, the app automatically varies the colour of the light thereby simulating the natural course of the day. The settings can be changed at any time and adjusted to individual tastes. The light setting is saved on the app and can be transferred to any LUCTRA® lamp. This makes LUCTRA® the ideal lighting range for modern office concepts with flexible workplaces.

Based on the answers to five simple questions, the VITACORE® app generates a personal 24-hour lighting sequence for the user:

1. What time does your work day start?
2. What time does your work day end?
3. When is your lunch break?
4. If you could choose your optimum working hours, which five consecutive hours would you choose?
5. What time of day do you feel most productive?



iOS



Android

The app is available as a free download for all current iOS and Android smartphones and tablet PCs.

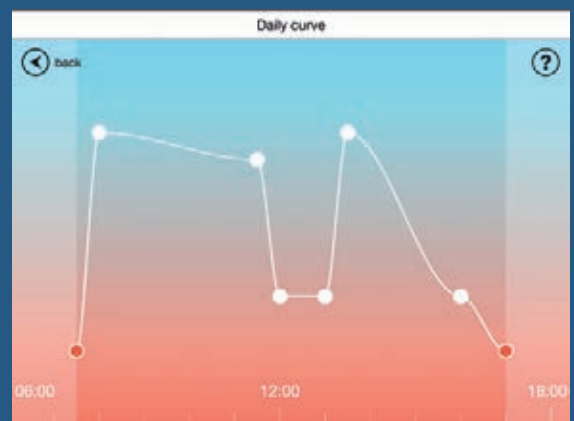
Connection between app and lamp via Bluetooth



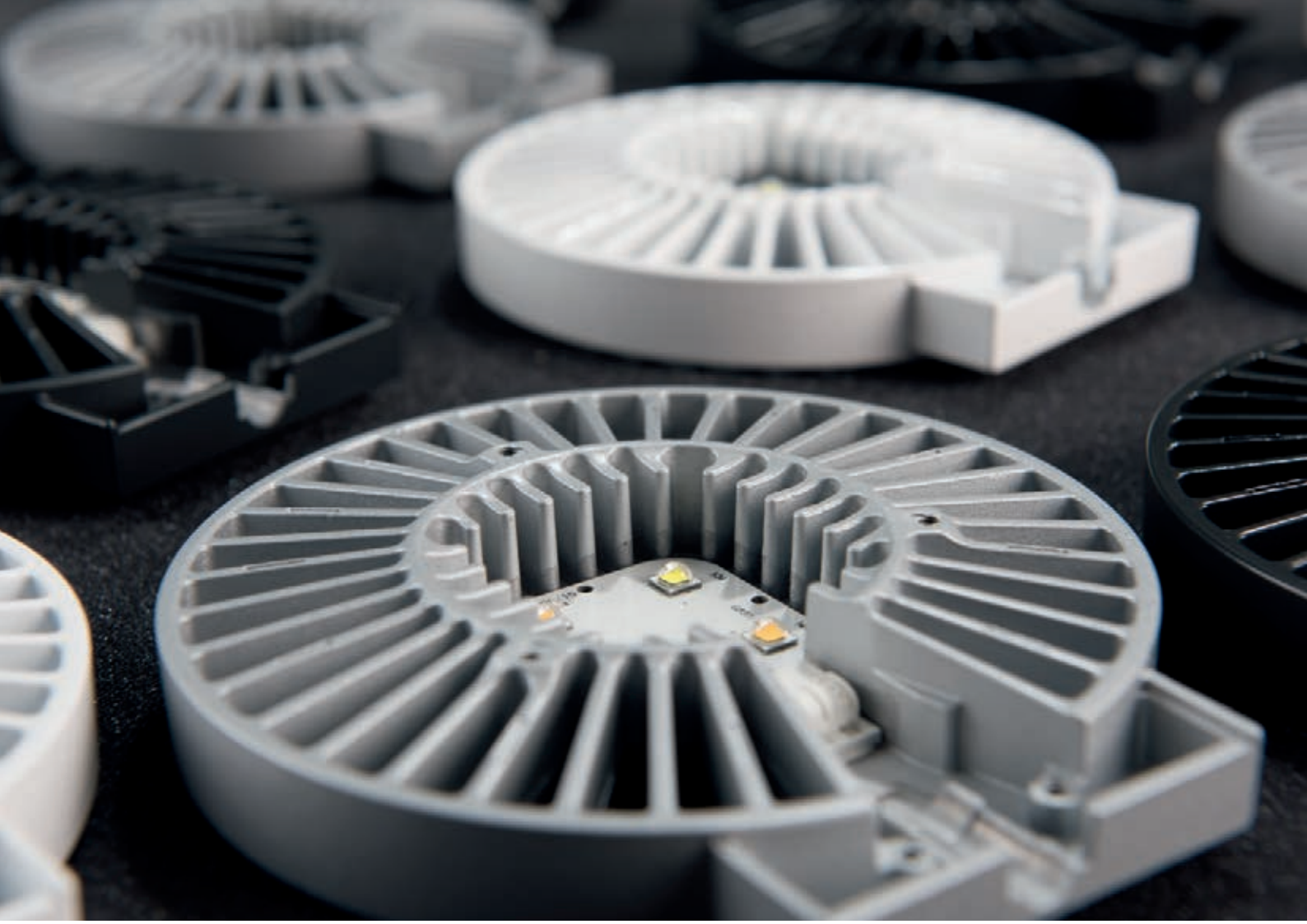
Activation of personal settings



Adjust light settings for the duration of the day



The performance of the VITACORE® technology and applications differ depending on the model.



All LUCTRA® lamps are manufactured at our factory in Germany with the utmost care and are 100% tested.

DESIGN AND QUALITY MADE IN GERMANY

The main emphasis is on the uniqueness of the light, which is not communicated by mere surface design, it needs to be “experienced”. The perception of excellent quality was the main focus when designing the lamps.

From the beginning, LUCTRA® has not compromised on this and has made a clear statement through its stringent implementation of sophisticated functions, user-friendly operation and use of selected materials with precise workmanship: the LUCTRA® lighting range should be seen as an intuitive enhancement of the workplace in terms of function, style and handling.



The LUCTRA® lighting range enhances the workplace in terms of function, appearance and operation.

LUCTRA® – DEVELOPED FOR THE OFFICE

In the global economy, the role of the office is changing. They are transforming from places of performing tasks to meeting places for personal exchange and communication. They are becoming places for collective problem solving, or they are places to retreat so you can concentrate on your individual tasks. This increasing flexibility along with growing employee mobility means that the number of fixed workplaces and the area per workplace are decreasing. The quality of the furnishings are also very important. The role of workplace design in motivating employees should not be underestimated and it is a sign of how they are valued. Good lighting influences the perceived quality of the workplace in a unique way and also contributes to increased motivation and a decrease in employee absence rates.







LUCTRA[®] PRODUCTS

LUCTRA[®] lamps meet all the requirements placed on modern LED lighting: innovative technology meets sophisticated design and allows for adaptation to individual needs.

The range consists of table and floor lamps which are available in contemporary RADIAL or LINEAR lamp head designs. In addition to the table and floor lamps, the LUCTRA[®] range includes a battery-operated portable lamp called FLEX, also available in the geometric LINEAR style.

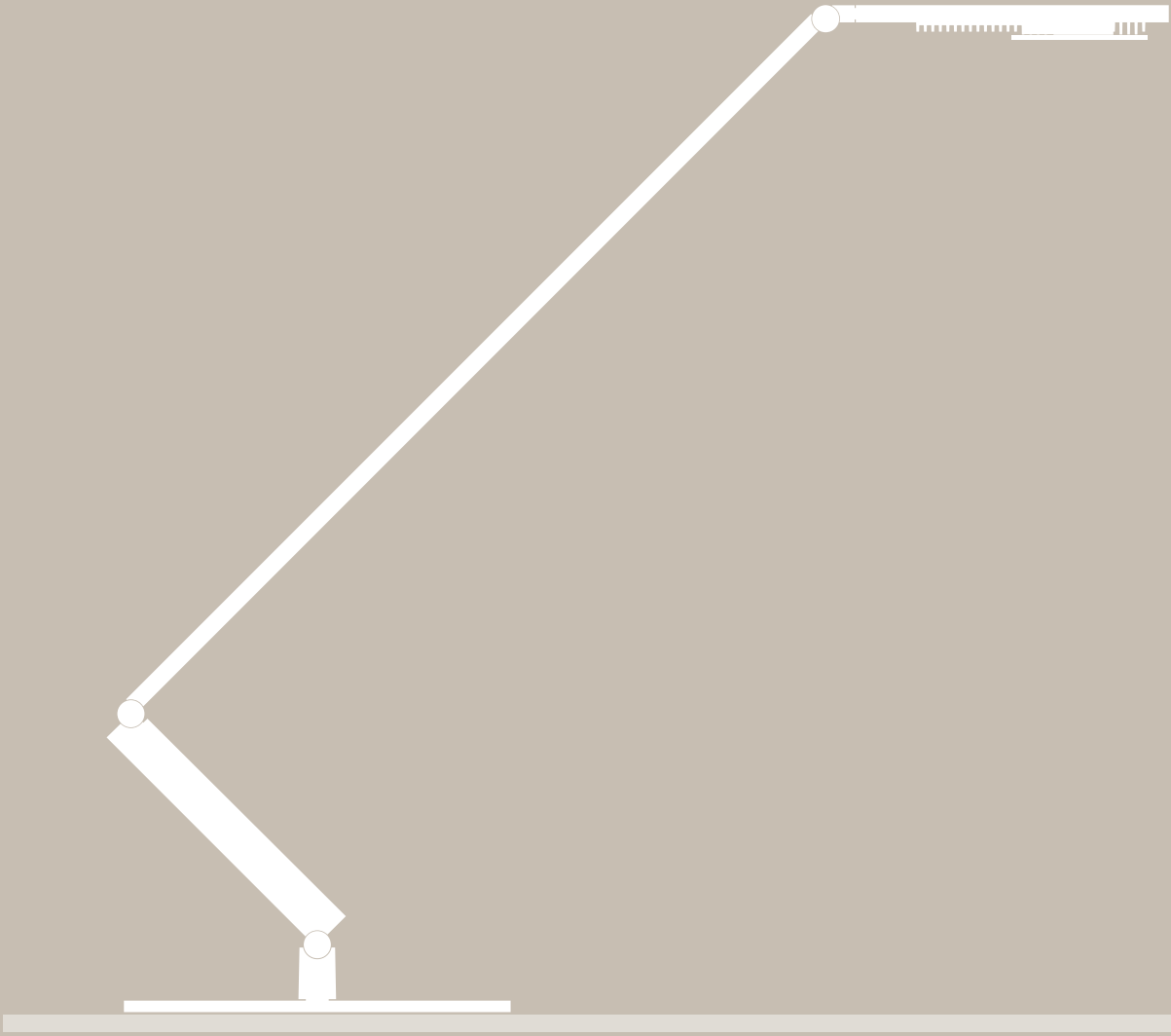


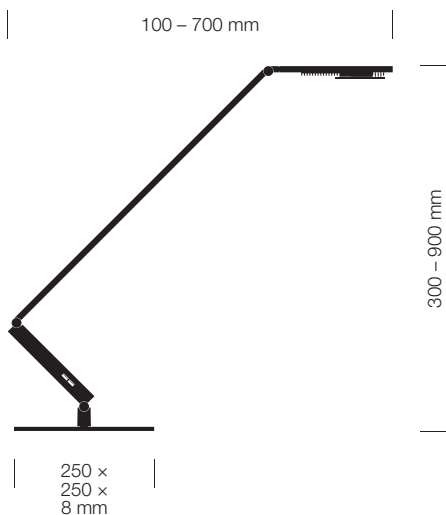
TABLE LAMPS

The LUCTRA® table lamps are designed for use in offices, whether that is at home or at a designated place of work. Self-locking joints allow the lamp to be moved to the desired position smoothly and easily and can withstand up to 50,000 hinge movements without readjustment. Various fastening options guarantee a secure placement on the desk and also help to reduce the space required if necessary.

TABLE PRO LINEAR

High quality craftsmanship and fine attention to detail: TABLE PRO LINEAR is the premium model in the range. The expertly designed lamp heads with their open cooling fins effectively dissipate the heat from the LEDs. Specially developed self-locking joints fix the light in any desired position.

As well as offering biologically effective light, LUCTRA® provides a minimalistic geometric LINEAR design with its aluminium finish and height of 75 centimetres.



Control	via VITACORE® electronics or app
Setting of light intensity	continuously up to 1,000 lux
Setting of light colour	continuously between 2,700 and 6,500 Kelvin
Boost function	for maximum cold-white lighting at 1,000 lux
USB charging ports	× 2
Touch panel	made of glass
Article number with lamp base	9215
Article number with clamp	9217
Article number with pin	9219

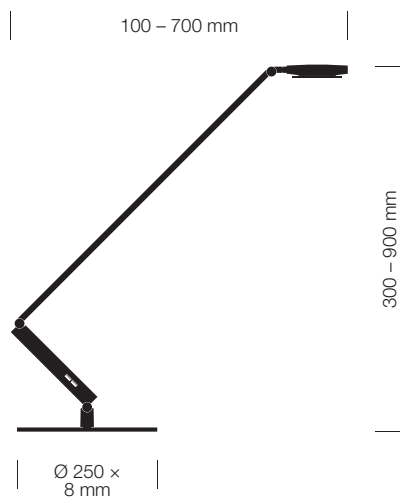
Colours

01 black
02 white
23 aluminium



TABLE PRO RADIAL

A combination of light and stylish design is integral to the LUCTRA® range. TABLE PRO RADIAL is the alternative round-head design to the geometric design of the LINEAR models. Premium craftsmanship, state-of-the-art technology and the beneficial effect of light makes this model a must-have for all desks.



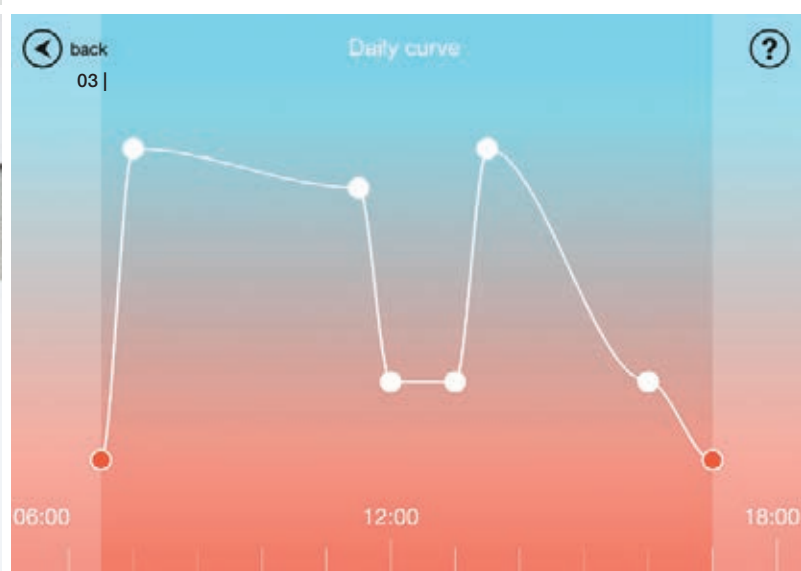
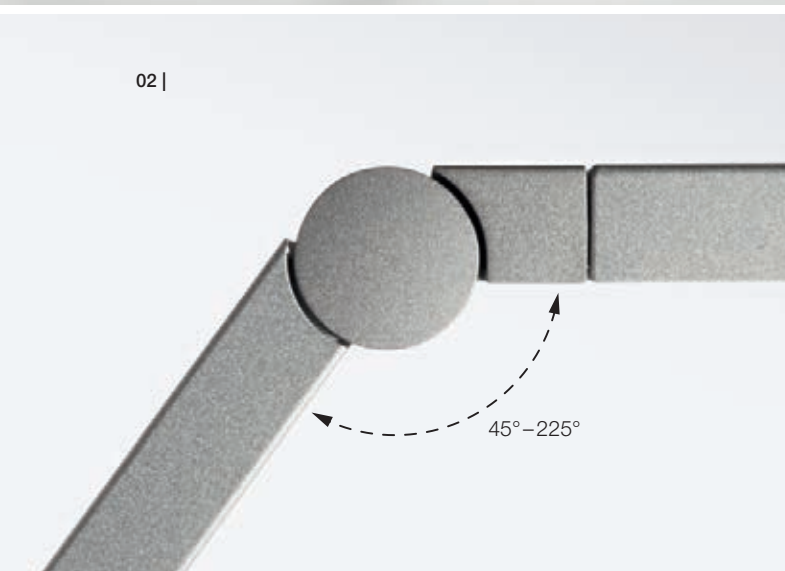
Control	via VITACORE® electronics or app
Setting of light intensity	continuously up to 1,000 lux
Setting of light colour	continuously between 2,700 and 6,500 Kelvin
Boost function	for maximum cold-white lighting at 1,000 lux
USB charging ports	× 2
Touch panel	made of glass
Article number with lamp base	9216
Article number with clamp	9218
Article number with pin	9220
Colours	
	01 black
	02 white
	23 aluminium



TABLE PRO FEATURES



- 01 | Colour temperature adjustable from 2,700 to 6,500 Kelvin, boost function for short-term maximum activation, USB charging feature for smartphones and tablets
- 02 | Self-locking joints
- 03 | Adjustment of colour temperature to personal daily rhythm with VITACORE® app
- 04 | Flexibility through various fastening options (tabletop base, clamp to the table and wall mounting, table bolt)
- 05 | Two warm-white and two cold-white CREE high-power LEDs, high light illuminance of 1,000 lux at a height of 75 cm above the table surface, narrow tolerance binnings for high colour fidelity, high colour rendition with CRI \geq 85. Perfect temperature management for a long service life of well over 50,000 hours for LEDs





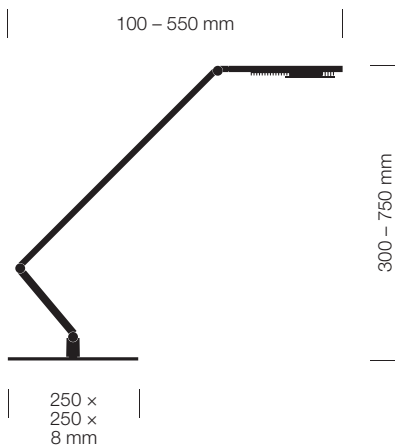
04 |



05 |

TABLE LINEAR

With its VITACORE® touch panel, premium LED technology and ease of use, the entry level model stands at a compact 60 centimetre height and offers the same lighting benefits which make LUCTRA® the ideal lamp for the workplace.

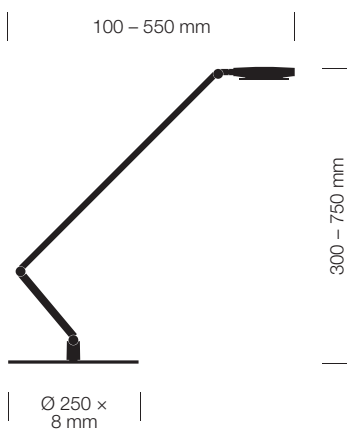


Control	via VITACORE® electronics
Setting of light intensity	in five steps up to 1,000 lux
Setting of light colour	in three steps 2,700 / 3,600 / 6,500 Kelvin
Touch panel	acrylic glass
Article number with lamp base	9201
Colours	
	01 black
	02 white
	23 aluminium



TABLE RADIAL

The entry-level model of the RADIAL product line has been designed to meet the requirements of the modern office. With only minor differences in equipment, it offers the same features as the PRO model, which is ten centimetres higher and contributes to making work easier on a long-term basis.



Control	via VITACORE® electronics
Setting of light intensity	in five steps up to 1,000 lux
Setting of light colour	in three steps 2,700 / 3,600 / 6,500 Kelvin
Touch panel	acrylic glass
Article number with lamp base	9202
Colours	
	01 black
	02 white
	23 aluminium



TABLE FEATURES

01 |

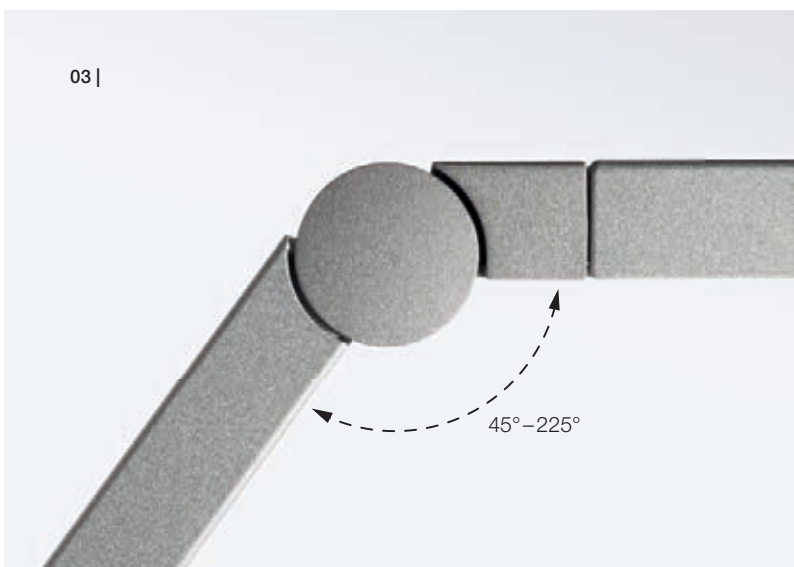


- 01 | Perfect temperature management for a long service life of well over 50,000 hours for LEDs
- 02 | High light illuminance of 1,000 lux at a height of 60 cm above the table surface
- 03 | Self-locking joints
- 04 | Colour temperature adjustable for three levels (2,700 | 3,600 | 6,500 Kelvin)
- 05 | Two warm-white and two cold-white CREE high-power LEDs, narrow tolerance binnings for high colour fidelity, high colour rendition with CRI \geq 85

02 |



03 |

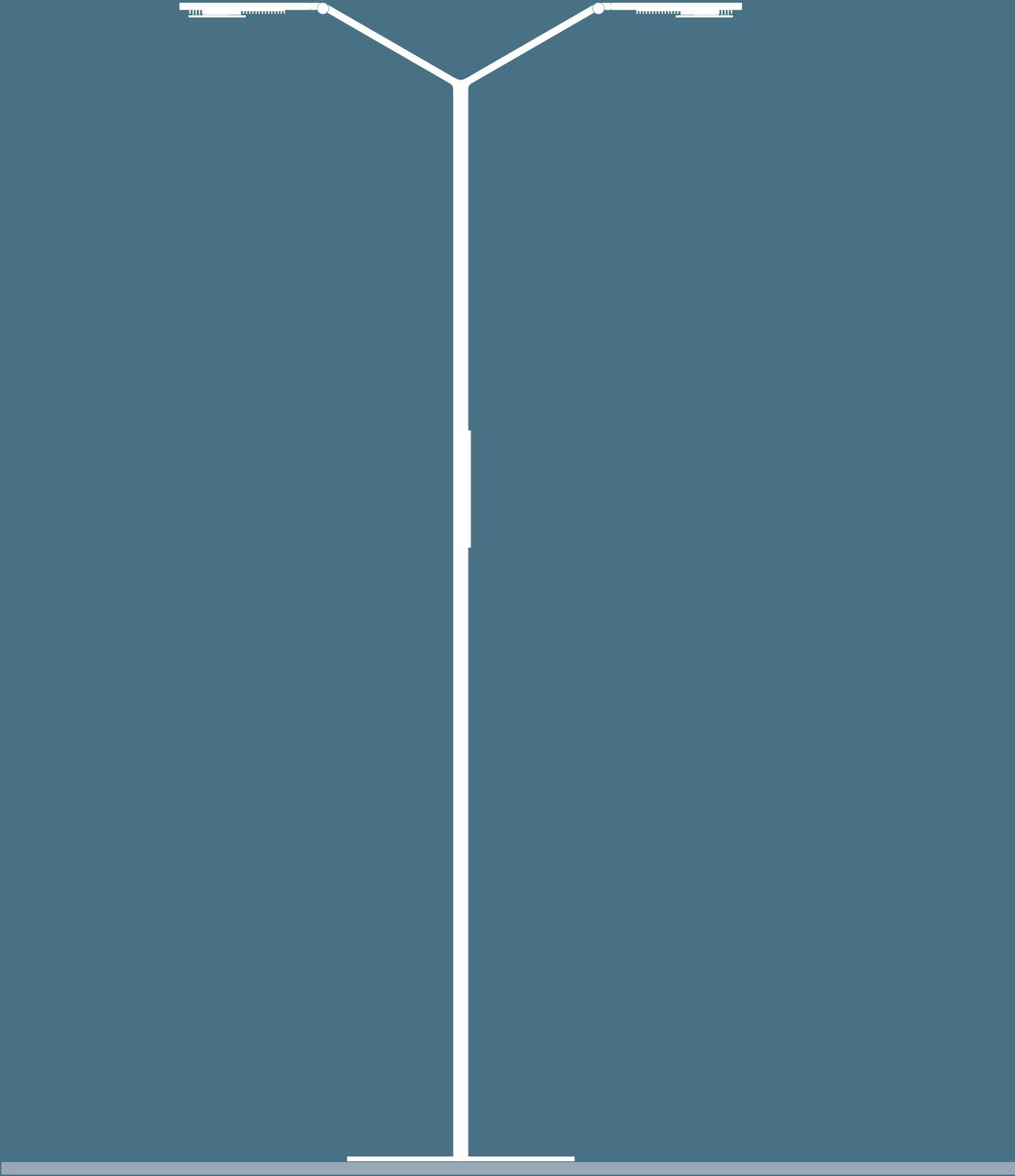




04 |



05 |

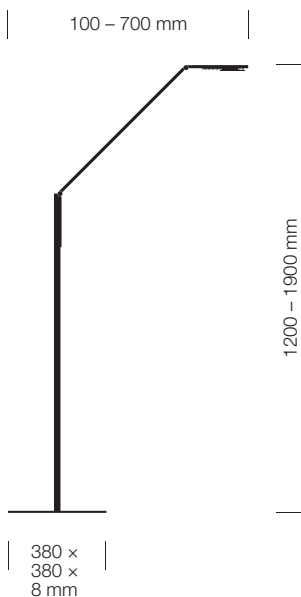


FLOOR LAMPS

For those who like a minimalistic approach to their work space, LUCTRA® floor lamps can offer the ideal solution. Offering the same premium LED technology and individual light setting functions, LUCTRA® floor lamps provide direct and indirect lighting to ensure all users get the right biologically effective light.

FLOOR LINEAR

For those who like a minimalistic approach to their work space, LUCTRA® floor lamps can offer the ideal solution. The FLOOR LINEAR lamp illuminates every workplace from a maximum height of 1.90 metres with the same, perfectly even light as all other LUCTRA® models. Thanks to high quality LEDs and the VITACORE® electronic system, the biological effectiveness of the light is combined with an easy operation.

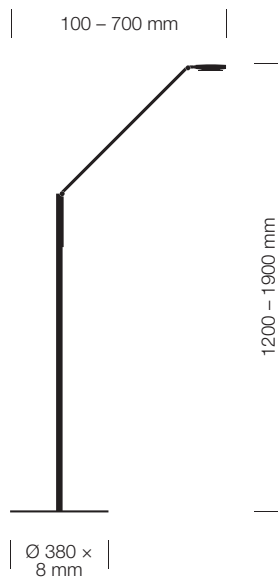


Control	via VITACORE® electronics or app
Setting of light intensity	continuously up to 1,000 lux
Setting of light colour	continuously between 2,700 and 6,500 Kelvin
Boost function	for maximum cold-white lighting at 1,000 lux
USB charging ports	× 2
Touch panel	made of glass
Article number with lamp base	9235
Colours	
	01 black
	02 white
	23 aluminium



FLOOR RADIAL

Unobtrusive design, intelligent technology and premium-quality materials at a maximum height of 1.90 metres: FLOOR RADIAL is an attractive addition to any workplace and anyone using this lamp next to their workspace will feel the benefits of its lighting quality. The VITACORE® touch panel becomes visible only when needed and personalised lighting sequences are easy to programme, which makes the unobtrusive design of FLOOR RADIAL a great addition to any office.



Control	via VITACORE® electronics or app
Setting of light intensity	continuously up to 1,000 lux
Setting of light colour	continuously between 2,700 and 6,500 Kelvin
Boost function	for maximum cold-white lighting at 1,000 lux
USB charging ports	× 2
Touch panel	made of glass
Article number with lamp base	9236
Colours	
	01 black
	02 white
	23 aluminium



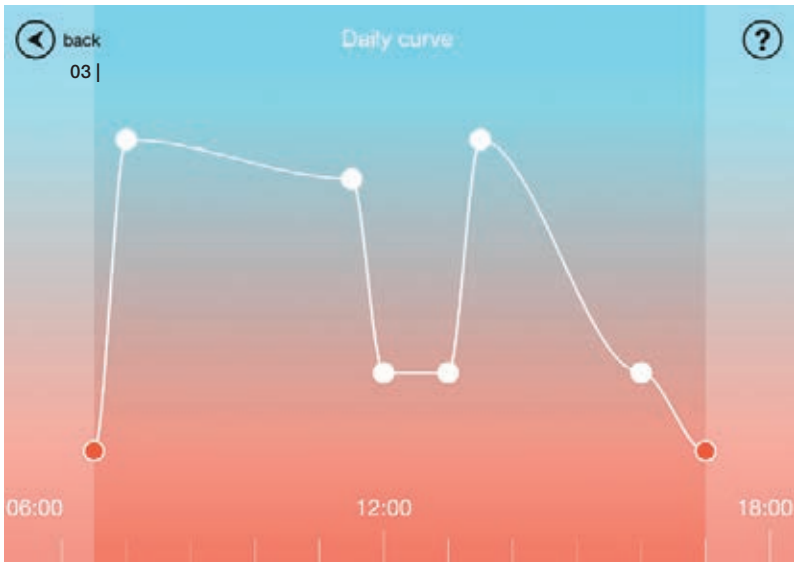
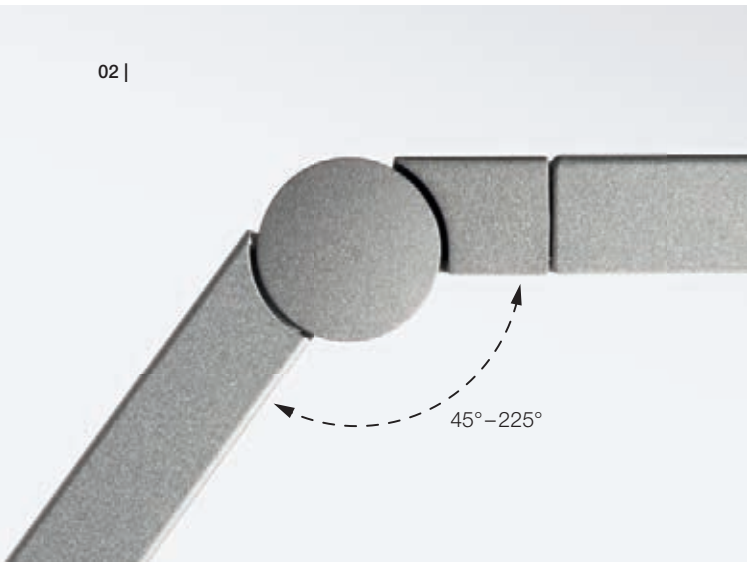
FLOOR FEATURES

01 |



- 01 | Colour temperature adjustable from 2,700 to 6,500 Kelvin, boost function for short-term maximum activation, USB charging feature for smartphones and tablets
- 02 | Self-locking joints
- 03 | Adjustment of colour temperature to personal daily rhythm with VITACORE® app
- 04 | Perfect temperature management for a long service life of well over 50,000 hours for LEDs
- 05 | Two warm-white and two cold-white CREE high-power LEDs, high light illuminance of 1,000 lux at a height of 110 cm above the table surface, narrow tolerance binnings for high colour fidelity, high colour rendition with CRI ≥ 85

02 |

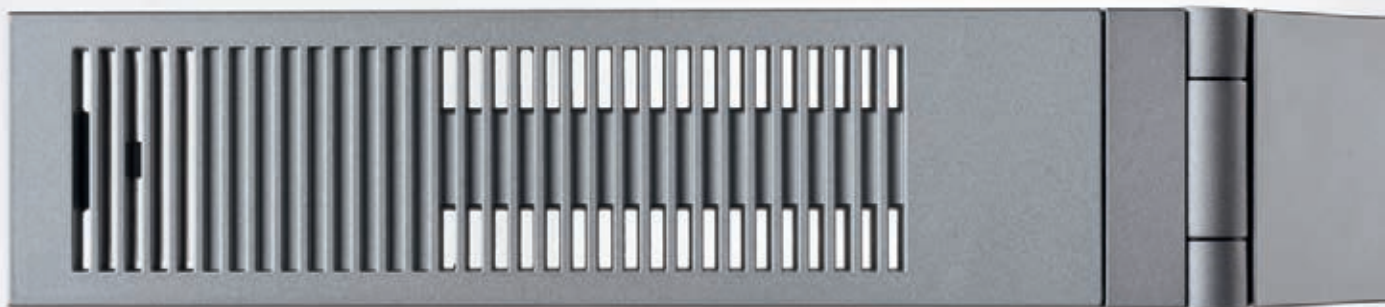




04 |

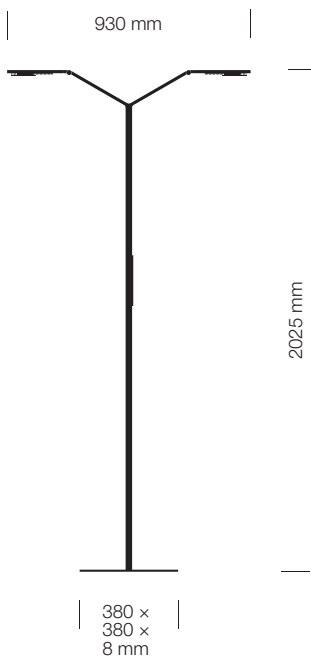


05 |



FLOOR TWIN LINEAR

The FLOOR TWIN LINEAR makes it possible to have optimal direct or indirect light for up to two workplaces. The individually adjustable lamp heads ensure maximum flexibility, since their light intensity and colour temperature can be adjusted individually to the needs of each user.

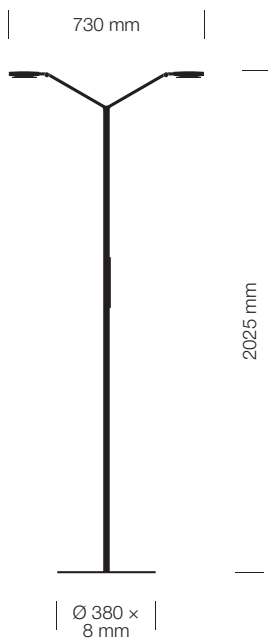


Control	via VITACORE® electronics or app
Setting of light intensity	continuously up to 1,000 lux
Setting of light colour	continuously between 2,700 and 6,500 Kelvin
Switch Function	For separate operation of lamp heads
Touch panel	made of glass
Article number with lamp base	9237
Colours	
	01 black
	02 white
	23 aluminium



FLOOR TWIN RADIAL

Great things can be achieved with collaboration and trends are pointing to an increase in this kind of workspace. FLOOR TWIN RADIAL gives exactly the right light for effective teamwork and illuminates two workplaces simultaneously. The separately adjustable and individually programmable lamp heads ensure that everyone gets the light they need at any time – biologically effective and at an ideal angle.



Control	via VITACORE® electronics or app
Setting of light intensity	continuously up to 1,000 lux
Setting of light colour	continuously between 2,700 and 6,500 Kelvin
Switch Function	For separate operation of lamp heads
Touch panel	made of glass
Article number with lamp base	9238
Colours	
	01 black
	02 white
	23 aluminium



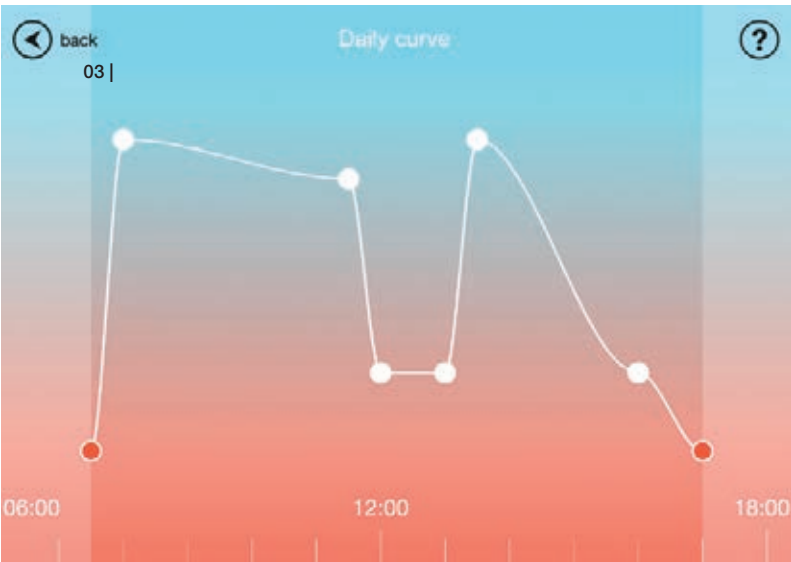
FLOOR TWIN FEATURES

01 |



- 01 | Perfect temperature management for a long service life of well over 50,000 hours for LEDs
- 02 | Colour temperature adjustable from 2,700 to 6,500 Kelvin
- 03 | Adjustment of colour temperature to personal daily rhythm with VITACORE® app
- 04 | Rotatable heads for direct and indirect lighting, can be adjusted and set for individuals
- 05 | 4 warm-white and cold-white CREE high-power LEDs, high light illuminance of 1,000 lux at a height of 110 cm above the table surface, narrow tolerance binnings for high colour fidelity, high colour rendition with CRI \geq 85

02 |

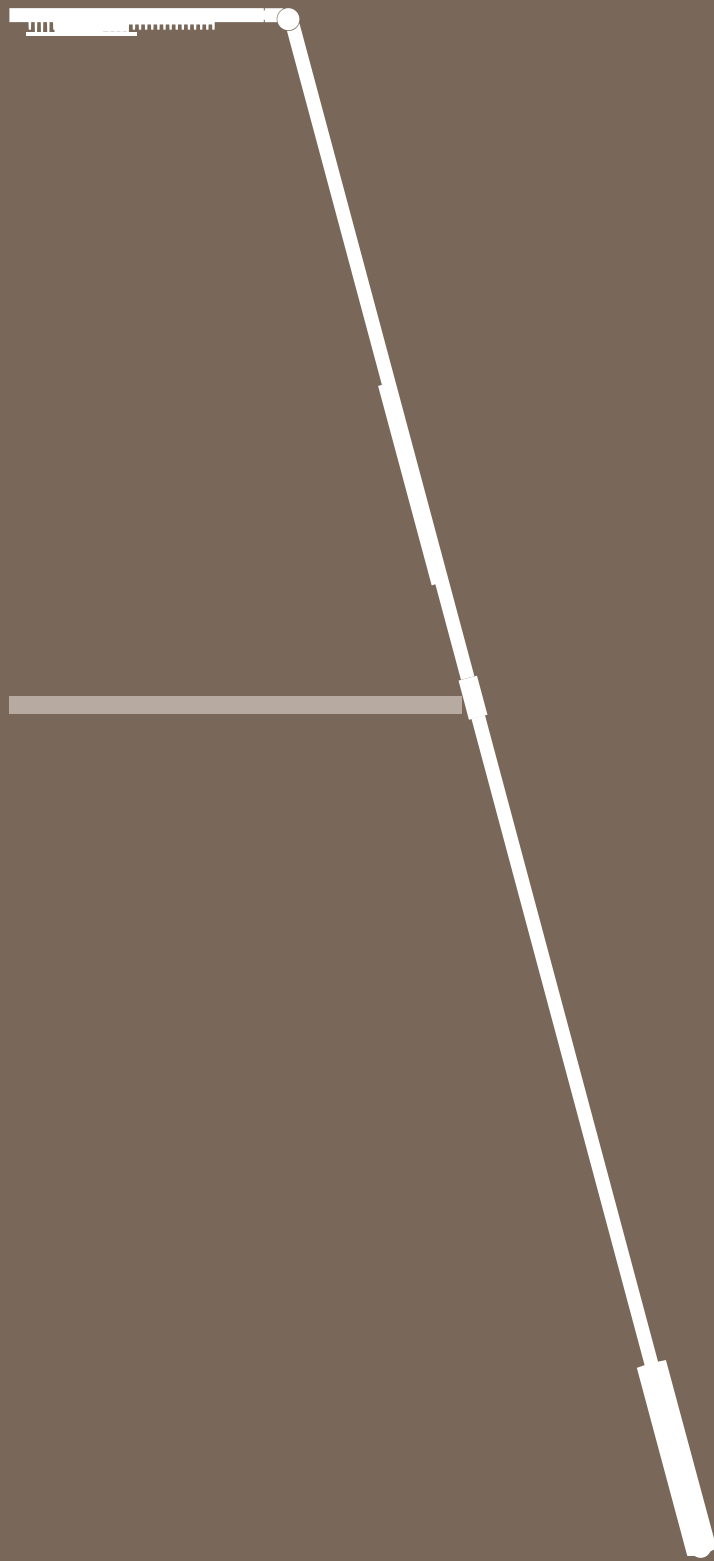




04 |



05 |

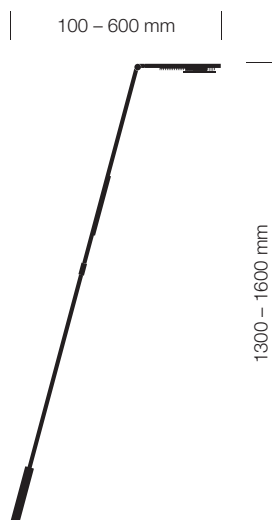


PORTABLE LAMPS

LUCTRA® offers a portable lamp with a multitude of uses whether situated in lounges, meeting points or simply in the home. With a long-lasting battery, the lamp provides complete freedom to work anywhere without compromising on the quality of light.

LUCTRA® FLEX

LUCTRA® FLEX is the cordless lamp with biologically effective lighting for mobile working in the office or at home. Four high-performance CREE LEDs are powered for up to nine hours by the integrated lithium-ion battery. The rubberised base and the height-adjustable protective sleeve guarantee stability and security in all positions. LUCTRA® FLEX gives you complete freedom to work or relax anywhere without compromising on the quality of light.



Control	via VITACORE® electronics
Setting of light intensity	in five steps up to 1,000 lux
Setting of light colour	in three steps 2,700 / 3,600 / 6,500 Kelvin
Battery technology	with lithium-ion battery
Touch panel	acrylic glass
Article number with lamp base	9231
Colours	
	01 black
	02 white
	09 orange
	23 aluminium



FLEX FEATURES



01 |

- 01 | Height-adjustable protective sleeve so it can be leaned securely and anti-slip base
- 02 | Two warm-white and two cold-white CREE high-power LEDs, high light illuminance of 1,000 lux at a height of 60 cm above the table surface, narrow tolerance binnings for high colour fidelity, high colour rendition with CRI \geq 85
- 03 | Colour temperature adjustable for three levels (2,700/3,600/6,500 Kelvin)
- 04 | Rotatable head for direct or indirect lighting
- 05 | Lithium-ion battery for up to four hours operating time



02 |



03 |

04 |



05 |

LUCTRA® CREATES A PRODUCTIVE ENVIRONMENT





LUCTRA® @
Eike Becker_Architekten | Berlin



LUCTRA® @
Eike Becker_Architekten | Berlin

Lighting planners, architects and consumers increasingly appreciate high-quality working light. It has been medically proven that biologically effective light has a positive influence on performance and satisfaction. This effect, combined with the award-winning design of the LUCTRA® lamps, has convinced users. This is why numerous projects have already been implemented with LUCTRA®. In doing so, the focus was on the fantastic quality of the light, the intuitive operation and the easy integration of the design into all kinds of architecture and flexible room concepts.





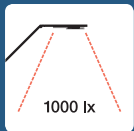
LUCTRA® @
Technische Universität | München



LUCTRA® @
Technische Universität | München

LUCTRA® FEATURES

THE LIGHT



High illuminance of 1,000 lux at 75 cm height above desk top.



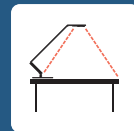
4 high power LEDs warm white and cold white.



Perfect heat management for long lasting durability.



Enhanced wellbeing through Human Centric Lighting.



Even workplace illumination.



High Colour Rendering Index ≥ 85 .



Fine binning for maximum colour fidelity.

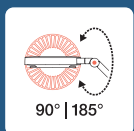


Premium LEDs from CREE.

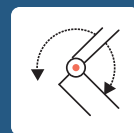
THE MECHANICS



Premium lamp using high quality craftsmanship - Made in Germany.



Swivel heads for direct and indirect illumination.



Self locking hinges.



Perfect heat management for long lasting durability.

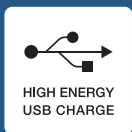
THE ELECTRONICS



Colour temperature adjustable to personal circadian rhythm via VITACORE® app.

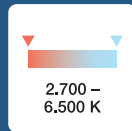


Adjustable colour temperature from 2,700 up to 6,500 K by intelligent VITACORE® electronic.



HIGH ENERGY
USB CHARGE

USB charging for smartphones and tablets.



Adjustable colour temperature from 2,700 up to 6,500 K.



No flickering due to high frequency PDM dimming.

FREE SERVICE HOTLINE

Do you have questions or suggestions?

The LUCTRA® team can be reached at the free service hotline 00800 00582872*

*from most European countries. Alternatively please dial: +49 2371 662445

CONTACT

LUCTRA® is a brand of DURABLE · HUNKE & JOCHHEIM GMBH & CO. KG

DEUTSCHLAND, ÖSTERREICH, SCHWEIZ

DURABLE Hunke & Jochheim GmbH & Co. KG
Westfalenstraße 77–79 · 58636 Iserlohn
Postfach 1753 · 58634 Iserlohn
Kostenlose Service Hotline 00800 00582872
Telefon 02371 662445
info@luctra.de · www.luctra.de

INTERNATIONAL

DURABLE · Hunke & Jochheim GmbH & Co. KG
Westfalenstraße 77–79 · 58636 Iserlohn
P.O. Box 1753 · 58634 Iserlohn · Germany
Freecall 00800 00582872 · Phone +49 2371 662445
info@luctra.de · www.luctra.eu

UNITED KINGDOM, IRELAND

DURABLE (UK) Ltd.
10 Nimrod Way, Wimborne,
Dorset, BH21 7SH
Freecall 00800 00582872 · Phone 01202 85 11 30
enquiries@luctra-uk.com · www.luctra.co.uk

FRANCE

DURABLE France S.A.S
Immeuble Le Tryalis · 9, rue de Rosny · 93100 Montreuil
Service Hotline Gratuit 00800 00582872
Téléphone 01 48 12 10 90
luctra@ durable.fr · www.luctra.fr

BELGIUM

DURABLE Belgium N.V./S.A.
Industriepark 14/101 · 9031 Gent-Drongen
Gratis service hotline 00800 00582872
Tel. 09/281 26 44/45
info@luctra.de · www.luctra-nl.com

NEDERLAND

DURABLE Nederland B.V.
Monierweg 3 · 7741 KV Coevorden
Gratis service hotline 00800 00582872
Tel. 0416543543
info@luctra.de · www.luctra-nl.com

SWEDEN, DENMARK, NORWAY, FINLAND

DURABLE SCANDINAVIA AB
Fågelsångsvägen 4B · 186 42 Vallentuna
Box 4 · 186 21 Vallentuna
Kostnadsfri support 00800 00582872
Telefon 08 - 630 11 50
info@ durable.se · www.luctra.se

ITALIA

DURABLE Italia S.r.l
Via Greppi Dr. Pietro, 15/B · 23824 Dervio (LC)
Hotline gratuita 00800 00582872
Tel: 0341 807806
luctra@luctra.de · www.luctra.it

POLSKA

Biuro Obsługi Klienta DURABLE Polska
Al.Kasztanowa 10 · 72-005 Przecław
Darma infolinia obsługi klienta 00800 00582872
Tel 091 432-40-70
info@luctra.de · www.luctra.pl

RUSSIA

Представительство фирмы DURABLE в России
Москва, 125438, ул. Михалковская, дом 63Б корп. 3
Бесплатная горячая линия 00800 00582872
Тел\Факс: +7 495 601 9213
info@luctra.de · www.luctra-ru.com

