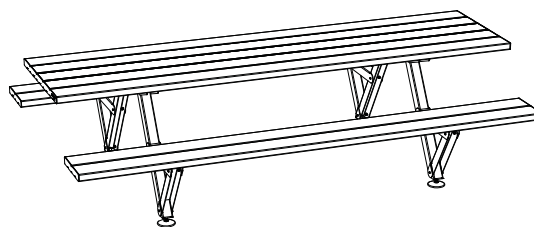


Marina picnic

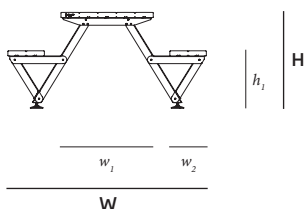
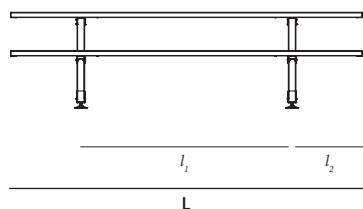
© design by Metrica



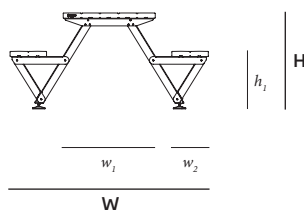
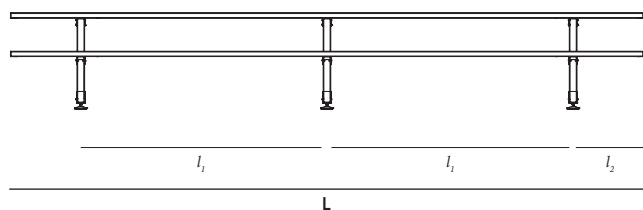
2 legs
3 legs
4 legs
5 legs

6 legs
Floor fastening

Marina picnic



Dimensions (mm)	L	W _(5 prof.)	W _(6 prof.)	H	l ₁	l ₂	w _{1 (5 prof.)}	w _{1 (6 prof.)}	w ₂	h ₁	# legs
Marina picnic 165	1650	1540	1700	750	1100	275	720	870	285	450	2
Marina picnic 220	2200	1540	1700	750	1100	550	720	870	285	450	2
Marina picnic 275	2750	1540	1700	750	1650	550	720	870	285	450	2
Marina picnic 330	3300	1540	1700	750	2200	550	720	870	285	450	2



Dimensions (mm)	L	W _(5 prof.)	W _(6 prof.)	H	l ₁	l ₂	w _{1 (5 prof.)}	w _{1 (6 prof.)}	w ₂	h ₁	# legs
Marina picnic 385	3850	1540	1700	750	1375	550	720	870	285	450	3
Marina picnic 440	4400	1540	1700	750	1650	550	720	870	285	450	3
Marina picnic 495	4950	1540	1700	750	1925	550	720	870	285	450	3
Marina picnic 550	5500	1540	1700	750	2200	550	720	870	285	450	3
Marina picnic 605	6050	1540	1700	750	1650	550	720	870	285	450	4
Marina picnic 660	6600	1540	1700	750	1375	550	720	870	285	450	4
Marina picnic 715	7150	1540	1700	750	2015	550	720	870	285	450	4
Marina picnic 770	7700	1540	1700	750	1650	550	720	870	285	450	4
Marina picnic 825	8250	1540	1700	750	1430	550	720	870	285	450	5
Marina picnic 880	8800	1540	1700	750	1540	550	720	870	285	450	5
Marina picnic 935	9350	1540	1700	750	1650	550	720	870	285	450	5
Marina picnic 990	9900	1540	1700	750	1760	550	720	870	285	450	5
Marina picnic 1045	10450	1540	1700	750	1870	550	720	870	285	450	6
Marina picnic 1100	11000	1540	1700	750	1650	550	720	870	285	450	6
Marina picnic 1155	11550	1540	1700	750	2090	550	720	870	285	450	6
Marina picnic 1210	12100	1540	1700	750	2200	550	720	870	285	450	6

extremis®

The content of this document, in particular the mentioned models, is protected by copyrights and/or design rights. The present document and its content is communicated to you for information purposes only. Any partial or total reproduction or any other use without our prior written permission is strictly prohibited. This technical sheet remains subject to possible changes. **All dimensions are in mm**, unless mentioned otherwise. Extremis is not responsible for the errors in the documentation of products. All measurements are approximate and are provided for informational purposes only.

Tech sheet
20170823



BOX 1: 3 PROFILES



BOX 3: 1 SET FOR TABLE LEG



BOX 2: 2 PROFILES



BOX 4: ENDCAPS



Box dimensions (mm)		L	W	H	Qty (#)	Volume (m ³)	Gross weight (kg)	Net weight (kg)	Packaging weight (kg)
Marina picnic 165 (tabletop 720 mm)	Box 1	1730	140	120	3	0,09	40,66	38,69	1,97
	Box 3	870	218	75	2	0,03	36,56	35,61	0,95
	Box 4	870	145	75	1	0,01	3,14	2,76	0,38
	total:				0,13	80,36	77,06	3,30	
Marina picnic 165 (tabletop 870 mm)	Box 1	1730	140	120	2	0,06	27,10	25,79	1,31
	Box 2	1730	140	80	2	0,04	18,28	17,20	1,08
	Box 3	870	218	75	2	0,03	37,92	36,97	0,95
	Box 4	870	145	75	1	0,01	3,14	2,76	0,38
total:				0,14	86,44	82,72	3,72		
Marina picnic 220 (tabletop 720 mm)	Box 1	2280	140	120	3	0,11	56,55	53,93	2,62
	Box 3	870	218	75	2	0,03	36,56	35,61	0,95
	Box 4	870	145	75	1	0,01	3,14	2,76	0,38
total:				0,15	96,25	92,30	3,95		
Marina picnic 220 (tabletop 870 mm)	Box 1	2280	140	120	2	0,08	37,69	35,95	1,74
	Box 2	2280	140	80	2	0,05	25,37	23,97	1,40
	Box 3	870	218	75	2	0,03	37,92	36,97	0,95
	Box 4	870	145	75	1	0,01	3,14	2,76	0,38
total:				0,17	104,12	99,65	4,47		
Marina picnic 275 (tabletop 720 mm)	Box 1	2830	140	120	3	0,14	67,30	64,13	3,17
	Box 3	870	218	75	2	0,03	36,56	35,61	0,95
	Box 4	870	145	75	1	0,01	3,14	2,76	0,38
total:				0,18	107,00	102,50	4,50		
Marina picnic 275 (tabletop 870 mm)	Box 1	2830	140	120	2	0,10	44,86	42,75	2,11
	Box 2	2830	140	80	2	0,06	30,20	28,50	1,70
	Box 3	870	218	75	2	0,03	37,92	36,97	0,95
	Box 4	870	145	75	1	0,01	3,14	2,76	0,38
total:				0,20	116,12	110,98	5,14		
Marina picnic 330 (tabletop 720 mm)	Box 1	3380	140	120	3	0,17	78,08	74,32	3,76
	Box 3	870	218	75	2	0,03	36,56	35,61	0,95
	Box 4	870	145	75	1	0,01	3,14	2,76	0,38
total:				0,21	117,78	112,69	5,09		
Marina picnic 330 (tabletop 870 mm)	Box 1	3380	140	120	2	0,11	52,06	49,55	2,51
	Box 2	3380	140	80	2	0,08	35,06	33,03	2,03
	Box 3	870	218	75	2	0,03	37,92	36,97	0,95
	Box 4	870	145	75	1	0,01	3,14	2,76	0,38
total:				0,23	128,18	122,31	5,87		

Box dimensions (mm)		L	W	H	Qty (#)	Volume (m ³)	Gross weight (kg)	Net weight (kg)	Packaging weight (kg)
Marina picnic 385 (tabletop 720 mm)	Box 1	3930	140	120	3	0,20	90,68	86,32	4,36
	Box 3	870	218	75	3	0,04	54,85	53,42	1,43
	Box 4	870	145	75	1	0,01	3,14	2,76	0,38
	total:				0,25		148,67	142,50	6,17
Marina picnic 385 (tabletop 870 mm)	Box 1	3930	140	120	2	0,13	60,46	57,55	2,91
	Box 2	3930	140	80	2	0,09	40,74	38,36	2,38
	Box 3	870	218	75	3	0,04	56,89	55,46	1,43
	Box 4	870	145	75	1	0,01	3,14	2,76	0,38
	total:				0,27		161,23	154,13	7,10
Marina picnic 440 (tabletop 720 mm)	Box 1	4480	140	120	3	0,23	101,49	96,54	4,95
	Box 3	870	218	75	3	0,04	54,85	53,42	1,43
	Box 4	870	145	75	1	0,01	3,14	2,76	0,38
	total:				0,28		159,48	152,72	6,76
Marina picnic 440 (tabletop 870 mm)	Box 1	4480	140	120	2	0,15	67,66	64,36	3,30
	Box 2	4480	140	80	2	0,10	45,36	42,88	2,48
	Box 3	870	218	75	3	0,04	56,89	55,46	1,43
	Box 4	870	145	75	1	0,01	3,14	2,76	0,38
	total:				0,30		173,05	165,46	7,59
Marina picnic 495 (tabletop 720 mm)	Box 1	5030	140	120	3	0,25	112,23	106,71	5,52
	Box 3	870	218	75	3	0,04	54,85	53,42	1,43
	Box 4	870	145	75	1	0,01	3,14	2,76	0,38
	total:				0,30		170,22	162,89	7,33
Marina picnic 495 (tabletop 870 mm)	Box 1	5030	140	120	2	0,17	74,82	71,14	3,68
	Box 2	5030	140	80	2	0,11	50,40	47,42	2,98
	Box 3	870	218	75	3	0,04	56,89	55,46	1,43
	Box 4	870	145	75	1	0,01	3,14	2,76	0,38
	total:				0,33		185,25	176,78	8,47
Marina picnic 550 (tabletop 720 mm)	Box 1	5580	140	120	3	0,28	123,03	116,91	6,12
	Box 3	870	218	75	3	0,04	54,85	53,42	1,43
	Box 4	870	145	75	1	0,01	3,14	2,76	0,38
	total:				0,33		181,02	173,09	7,93
Marina picnic 550 (tabletop 870 mm)	Box 1	5580	140	120	2	0,19	82,04	77,96	4,08
	Box 2	5580	140	80	2	0,12	55,30	51,96	3,34
	Box 3	870	218	75	3	0,04	56,89	55,46	1,43
	Box 4	870	145	75	1	0,01	3,14	2,76	0,38
	total:				0,36		197,37	188,14	9,23

Box dimensions (mm)		L	W	H	Qty (#)	Volume (m ³)	Gross weight (kg)	Net weight (kg)	Packaging weight (kg)
Marina picnic 605 (tabletop 720 mm)	Box 1	6130	140	120	3	0,31	135,63	128,91	6,72
	Box 3	870	218	75	4	0,06	73,12	71,22	1,90
	Box 4	870	145	75	1	0,01	3,14	2,76	0,38
total:						0,38	211,89	202,89	9,00
Marina picnic 605 (tabletop 870 mm)	Box 1	6130	140	120	2	0,21	90,42	85,94	4,48
	Box 2	6130	140	80	2	0,14	60,96	57,30	3,66
	Box 3	870	218	75	4	0,06	75,84	73,94	1,90
	Box 4	870	145	75	1	0,01	3,14	2,76	0,38
total:						0,42	230,36	219,94	10,42
Marina picnic 660 (tabletop 720 mm)	Box 1	6680	140	120	3	0,34	146,40	139,08	7,32
	Box 3	870	218	75	4	0,06	73,12	71,22	1,90
	Box 4	870	145	75	1	0,01	3,14	2,76	0,38
total:						0,41	222,66	213,06	9,60
Marina picnic 660 (tabletop 870 mm)	Box 1	6680	140	120	2	0,22	97,60	92,72	4,88
	Box 2	6680	140	80	2	0,15	65,78	61,82	3,96
	Box 3	870	218	75	4	0,06	75,84	73,94	1,90
	Box 4	870	145	75	1	0,01	3,14	2,76	0,38
total:						0,44	242,36	231,24	11,12
Marina picnic 715 (tabletop 720 mm)	Box 1	7230	140	120	3	0,36	157,20	149,31	7,89
	Box 3	870	218	75	4	0,06	73,12	71,22	1,90
	Box 4	870	145	75	1	0,01	3,14	2,76	0,38
total:						0,43	233,46	223,29	10,17
Marina picnic 715 (tabletop 870 mm)	Box 1	7230	140	120	2	0,24	104,80	99,54	5,26
	Box 2	7230	140	80	2	0,16	70,22	65,94	4,28
	Box 3	870	218	75	4	0,06	75,84	73,94	1,90
	Box 4	870	145	75	1	0,01	3,14	2,76	0,38
total:						0,47	254,00	242,18	11,82
Marina picnic 770 (tabletop 720 mm)	Box 1	7780	140	120	3	0,39	167,94	159,48	8,46
	Box 3	870	218	75	4	0,06	73,12	71,22	1,90
	Box 4	870	145	75	1	0,01	3,14	2,76	0,38
total:						0,46	244,20	233,46	10,74
Marina picnic 770 (tabletop 870 mm)	Box 1	7780	140	120	2	0,26	111,96	106,32	5,40
	Box 2	7780	140	80	2	0,17	75,50	70,88	4,62
	Box 3	870	218	75	4	0,06	75,84	73,94	1,90
	Box 4	870	145	75	1	0,01	3,14	2,76	0,38
total:						0,50	266,44	254,14	12,30

Box dimensions (mm)		L	W	H	Qty (#)	Volume (m ³)	Gross weight (kg)	Net weight (kg)	Packaging weight (kg)
Marina picnic 825 (tabletop 720 mm)	Box 1	8330	140	120	3	0,42	180,54	171,48	9,06
	Box 3	870	218	75	5	0,07	91,41	89,03	2,38
	Box 4	870	145	75	1	0,01	3,14	2,76	0,38
total:						0,50	275,09	263,27	11,82
Marina picnic 825 (tabletop 870 mm)	Box 1	8330	140	120	2	0,28	120,36	114,32	6,04
	Box 2	8330	140	80	2	0,19	81,14	76,22	4,92
	Box 3	870	218	75	5	0,07	94,81	92,43	2,38
	Box 4	870	145	75	1	0,01	3,14	2,76	0,38
total:						0,55	299,45	285,73	13,72
Marina picnic 880 (tabletop 720 mm)	Box 1	8880	140	120	3	0,45	191,34	181,71	9,63
	Box 3	870	218	75	5	0,07	91,41	89,03	2,38
	Box 4	870	145	75	1	0,01	3,14	2,76	0,38
total:						0,53	285,89	273,50	12,39
Marina picnic 880 (tabletop 870 mm)	Box 1	8880	140	120	2	0,30	127,56	121,44	6,42
	Box 2	8880	140	80	2	0,20	86,00	80,74	5,26
	Box 3	870	218	75	5	0,07	94,81	92,43	2,38
	Box 4	870	145	75	1	0,01	3,14	2,76	0,38
total:						0,58	311,51	297,07	14,44
Marina picnic 935 (tabletop 720 mm)	Box 1	9430	140	120	3	0,48	202,14	191,88	10,26
	Box 3	870	218	75	5	0,07	91,41	89,03	2,38
	Box 4	870	145	75	1	0,01	3,14	2,76	0,38
total:						0,56	296,69	283,67	13,02
Marina picnic 935 (tabletop 870 mm)	Box 1	9430	140	120	2	0,32	134,76	127,92	6,84
	Box 2	9430	140	80	2	0,21	90,84	85,28	5,56
	Box 3	870	218	75	5	0,07	94,81	92,43	2,38
	Box 4	870	145	75	1	0,01	3,14	2,76	0,38
total:						0,61	323,55	308,39	15,16
Marina picnic 990 (tabletop 720 mm)	Box 1	9980	140	120	3	0,50	212,94	202,08	10,86
	Box 3	870	218	75	5	0,07	91,41	89,03	2,38
	Box 4	870	145	75	1	0,01	3,14	2,76	0,38
total:						0,58	307,49	293,87	13,62
Marina picnic 990 (tabletop 870 mm)	Box 1	9980	140	120	2	0,34	141,91	134,72	7,24
	Box 2	9980	140	80	2	0,22	95,70	89,80	5,90
	Box 3	870	218	75	5	0,07	94,81	92,43	2,38
	Box 4	870	145	75	1	0,01	3,14	2,76	0,38
total:						0,64	335,56	319,66	15,90

Box dimensions (mm)		L	W	H	Qty (#)	Volume (m ³)	Gross weight (kg)	Net weight (kg)	Packaging weight (kg)
Marina picnic 1045 (tabletop 720 mm)	Box 1	10530	140	120	3	0,53	225,48	214,08	11,40
	Box 3	870	218	75	6	0,09	109,69	106,83	2,86
	Box 4	870	145	75	1	0,01	3,14	2,76	0,38
					total:	0,64	338,31	323,67	14,64
Marina picnic 1045 (tabletop 870 mm)	Box 1	10530	140	120	2	0,35	150,32	142,72	7,60
	Box 2	10530	140	80	2	0,24	101,36	95,14	6,22
	Box 3	870	218	75	6	0,09	113,77	110,91	2,86
	Box 4	870	145	75	1	0,01	3,14	2,76	0,38
					total:	0,69	368,59	351,53	17,06
Marina picnic 1100 (tabletop 720 mm)	Box 1	11080	140	120	3	0,56	236,28	224,28	12,00
	Box 3	870	218	75	6	0,09	109,69	106,83	2,86
	Box 4	870	145	75	1	0,01	3,14	2,76	0,38
					total:	0,66	349,11	333,87	15,24
Marina picnic 1100 (tabletop 870 mm)	Box 1	11080	140	120	2	0,37	157,52	149,52	8,00
	Box 2	11080	140	80	2	0,25	106,20	106,20	6,52
	Box 3	870	218	75	6	0,09	113,77	110,91	2,86
	Box 4	870	145	75	1	0,01	3,14	2,76	0,38
					total:	0,72	380,63	362,87	17,76
Marina picnic 1155 (tabletop 720 mm)	Box 1	11630	140	120	3	0,59	244,68	232,08	12,60
	Box 3	870	218	75	6	0,09	109,69	106,83	2,86
	Box 4	870	145	75	1	0,01	3,14	2,76	0,38
					total:	0,69	357,51	341,67	15,84
Marina picnic 1155 (tabletop 870 mm)	Box 1	11630	140	120	2	0,39	163,12	154,72	8,40
	Box 2	11630	140	80	2	0,26	110,64	103,80	6,84
	Box 3	870	218	75	6	0,09	113,77	110,91	2,86
	Box 4	870	145	75	1	0,01	3,14	2,76	0,38
					total:	0,75	390,67	372,19	18,48
Marina picnic 1210 (tabletop 720 mm)	Box 1	12180	140	120	3	0,61	255,48	242,28	13,20
	Box 3	870	218	75	6	0,09	109,69	106,83	2,86
	Box 4	870	145	75	1	0,01	3,14	2,76	0,38
					total:	0,71	368,31	351,87	16,44
Marina picnic 1210 (tabletop 870 mm)	Box 1	12180	140	120	2	0,41	170,32	161,52	8,80
	Box 2	12180	140	80	2	0,27	115,94	108,74	7,20
	Box 3	870	218	75	6	0,09	113,77	110,91	2,86
	Box 4	870	145	75	1	0,01	3,14	2,76	0,38
					total:	0,78	403,17	383,93	19,24

Materials & colours



Materials	Key facts	Thickness	Layer thickness	Density	In/outdoor	Water	UV colour fastness	Flame retarding
		mm	micron					
Fibre glass tabletop & benches	<ul style="list-style-type: none"> Made with pultrusion technique: a non-stop process of fibre glass wires pulled through a bath of polyester Strong Lightweight 	2,7	n.a.	1,80 10^3kg/m^3	Outdoor & indoor	n.a.	The white hue can change to some extent when exposed to UV	/
Powder-coated electro galvanised steel legs	<ul style="list-style-type: none"> Easy to clean Electro galvanised (for extra protection against rust), then powder-coated 	3	100	7,50 10^3kg/m^3	Outdoor & indoor	n.a.	Very good: the white hue can change to some extent when exposed to UV	NEN-EN13501-1 A1 *
Polyamide feet	<ul style="list-style-type: none"> Injection-moulded nylon Adjustable in height and surface 	n.a.	n.a.	1,14 10^3kg/m^3	Outdoor & indoor	n.a.	Very good	/

* NEN-EN13501-1 A1

Class A1 products will not contribute to fire in any stage, including fully developed fire. For this reason, they are assumed to be capable of satisfying all requirements of all lower classes as well.

WE STRONGLY ADVISE AGAINST USING POWER TOOLS GIVEN THE RISK OF THREAD GALLING ON THE STAINLESS STEEL BOLTS.

FOR TABLES WITH 3 LEGS OR MORE, WE RECOMMEND USING TRESTLES TO ATTACH THE TABLE LEG ASSEMBLIES TO THE TABLETOP, INSTEAD OF KEEPING IT UPSIDE DOWN.

WE STRONGLY ADVISE YOU AGAINST STANDING ON TOP OF THE TABLE! A CONCENTRATED LOAD CAN CAUSE SMALL PERCEPTIBLE CRACKS IN THE PROFILES THAT MIGHT BE VISUALLY ANNOYING, ALTHOUGH THEY DO NOT AFFECT THE STRENGTH OF THE TABLE IN ANY WAY.

STAINS SHOULD BE REMOVED IMMEDIATELY WITH A CLEAN, SOFT CLOTH, PARTICULARLY IN CASE OF DARK-COLOURED LIQUIDS SUCH AS WINE, INK, COFFEE, COKE, OIL OR BIRD DROPPINGS. IF LEFT TO DRY, THESE LIQUIDS MAY CAUSE PERMANENT DAMAGE!



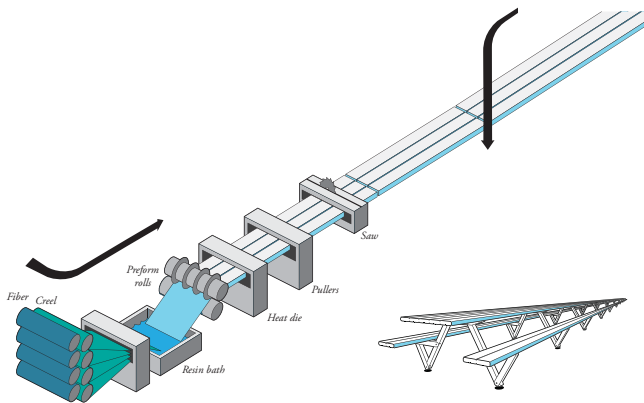
Applications

Residential: on terraces, patios, courtyards. Indoor or outdoor, as a dining table, ...

Project: hotel and catering industry, company terraces, public spaces, offices, meeting rooms, bars, ...

Good to know

- 55 cm bench space / person.
- Additional transport costs are applicable for products that exceed 7m.
- The average transport volume is 0,17m³ / person, which is really low.
- Fibre glass reinforced polyester resin material is made with the so-called pultrusion technique. Pultrusion is a non-stop process of pulling fibre glass wires through a bath of polyester resin and letting them harder in a matrix afterwards to get their final shape.
- Main advantages of this material are its strength and low weight.



Awards



Floor fastening

Marina picnic comes with an optional floor fastening set.

Find more instructions in the manual.



Assembly

- Do not use power tools to assemble your Marina table.
- Only to be mounted with no. 10 - 17 spanner and no. 3 - 4 hex key.

F.a.q.

Q: What is the biggest size possible?

A: We even produced a 30m table, the only problem is transport. We can deliver tables up to 7m without extra costs.

Q: What about UV-resistance?

A: By adding special additives, the material of the Marina picnic has a much higher UV-resistance than other white synthetics. It goes without saying that white will not stay brilliantly white.

Q: Are the legs corrosion-resistant?

A: Legs are first galvanised, and powder-coated afterwards. This way, we have a double protection layer.

Maintenance

Find maintenance instructions at the downloads section of extremis.com for:

FIBRE GLASS PROFILES

- Stains should be removed immediately with a clean, soft cloth, particularly in case of dark-coloured liquids such as wine, ink, coffee, coke, oil and bird droppings. If left to dry, these liquids may cause permanent damage!
- Use common kitchen cleaning products. Avoid using aggressive products. These surfaces are best cleaned with a neutral cleaning product diluted in water.
- In case of stubborn stains, we recommend using a magic sponge.
- Stubborn stains can also be removed using acetone.

POWDER-COATED PARTS

- White powder-coating requires more maintenance obviously
- Cleaning stains with a magic eraser

Website

www.extremis.com/marinapicnic