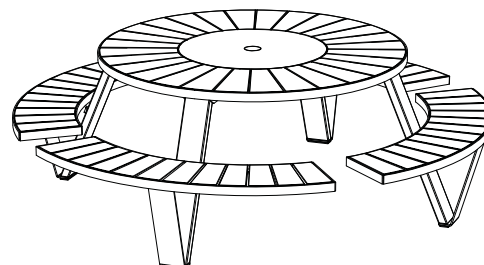


# Pantagruel picnic

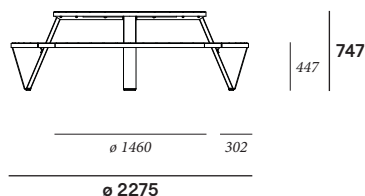
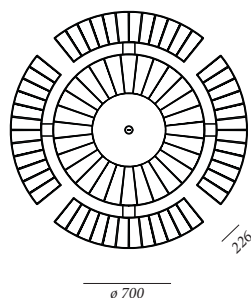
© design by Dirk Wynants



Galvanised version  
Powder-coated version  
Hpl version

Backrest  
Cushion  
Floor fastening

## Pantagruel picnic



BOX 1: TABLETOP



BOX 3: SUPPORTS



BOX 2: 2 BENCHES



BOX 4: 4 LEGS



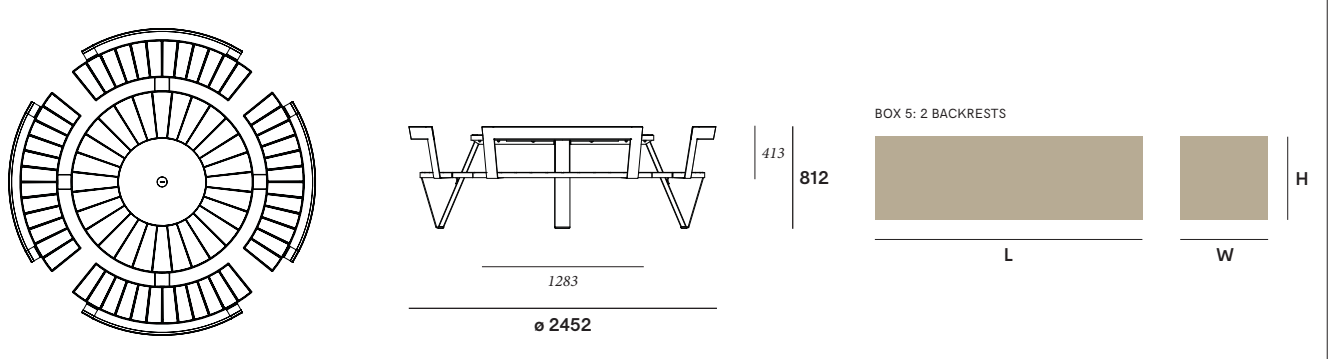
Box dimensions (mm)		L	W	H	Qty (#)	Volume (m <sup>3</sup> )	Gross weight (kg)	Net weight (kg)	Packaging weight (kg)
Pantagruel galvanised	Box 1	1540	1540	100	1	0,24	71,58	66,08	5,50
	Box 2	1456	511	108	2	0,16	59,22	55,80	3,42
	Box 3	463	151	126	1	0,01	12,32	12,12	0,20
	Box 4	950	322	264	1	0,08	26,34	26,14	0,20
	<b>total:</b>				<b>0,49</b>		<b>169,46</b>	<b>160,14</b>	<b>9,32</b>
Pantagruel powder-coated	Box 1	1540	1540	100	1	0,24	71,58	66,08	5,50
	Box 2	1456	511	108	2	0,16	59,22	55,80	3,42
	Box 3	463	151	126	1	0,01	12,32	12,12	0,20
	Box 4	950	322	264	1	0,08	23,25	23,05	0,20
	<b>total:</b>				<b>0,49</b>		<b>166,37</b>	<b>157,05</b>	<b>9,32</b>
Pantagruel HPL	Box 1	1540	1540	100	1	0,24	74,60	69,10	5,50
	Box 2	1456	511	108	2	0,16	67,82	64,40	3,42
	Box 3	463	151	126	1	0,01	12,32	12,12	0,20
	Box 4	950	322	264	1	0,08	23,25	23,05	0,20
	<b>total:</b>				<b>0,49</b>		<b>177,99</b>	<b>168,67</b>	<b>9,32</b>

**extremis®**

The content of this document, in particular the mentioned models, is protected by copyrights and/or design rights. The present document and its content is communicated to you for information purposes only. Any partial or total reproduction or any other use without our prior written permission is strictly prohibited. This technical sheet remains subject to possible changes. **All dimensions are in mm**, unless mentioned otherwise. Extremis is not responsible for the errors in the documentation of products. All measurements are approximate and are provided for informational purposes only.

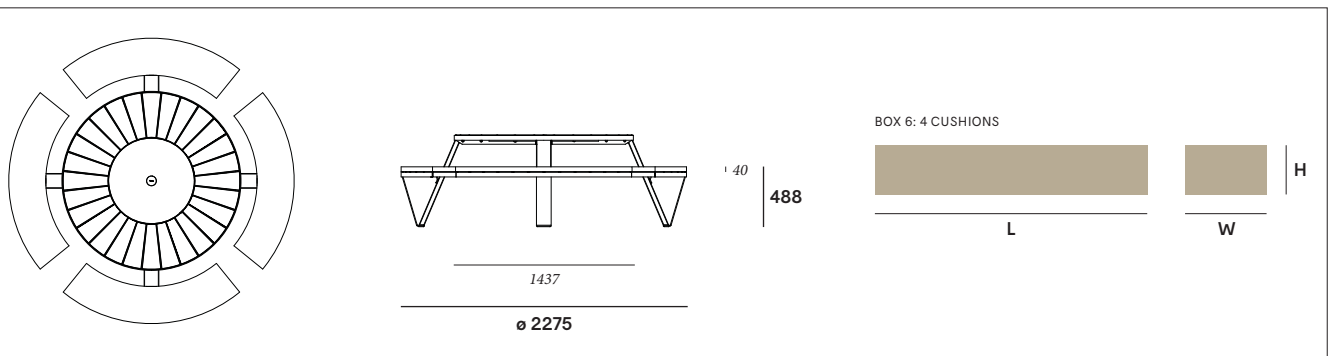
**Tech sheet**  
20170823

## Backrest



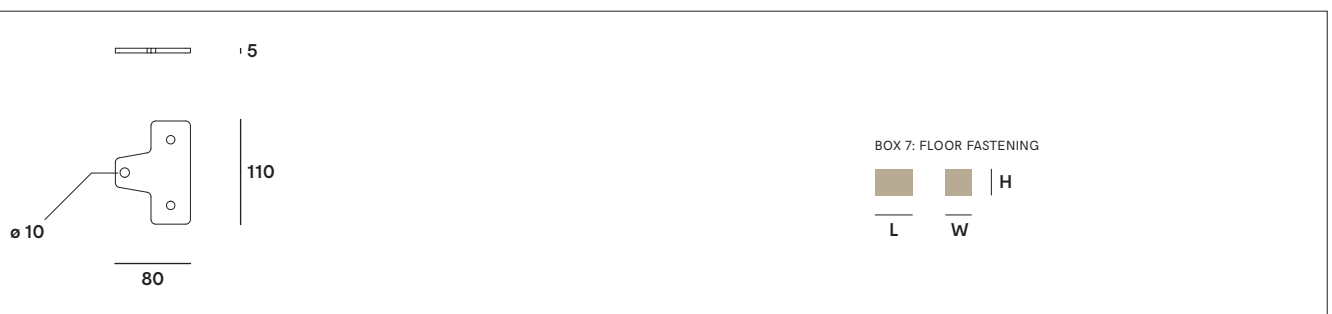
Box dimensions (mm)		L	W	H	Qty (#)	Volume (m <sup>3</sup> )	Gross weight (kg)	Net weight (kg)	Packaging weight (kg)
Backrest galvanised	Box 5	1415	465	440	1	0,29	25,06	20,56	4,50
Backrest powder-coated	Box 5	1415	465	440	1	0,29	25,06	20,56	4,50

## Cushions



Box dimensions (mm)		L	W	H	Qty (#)	Volume (m <sup>3</sup> )	Gross weight (kg)	Net weight (kg)	Packaging weight (kg)
Cushions	Box 6	1415	465	190	1	0,13	5,39	2,38	3,01

## Floor fastening




Box dimensions (mm)		L	W	H	Qty (#)	Volume (m <sup>3</sup> )	Gross weight (kg)	Net weight (kg)	Packaging weight (kg)
Floor fastening	Box 7	200	140	140	1	0,01	0,91	0,84	0,07

## Materials & colours



<b>Tabletop &amp; benches</b>		
	Iroko hardwood*	Hellwood*
<b>Frame, legs &amp; backrest</b>		
	Galvanised steel	Structured powder-coating*
<b>Lazy Susan rotating tabletop</b>		
	HPL*	
<b>Cushions</b>		
	Sunbrella*	

\*Subject to change, check price list or [www.extremis.com](http://www.extremis.com)

Materials	Key facts	Thickness mm	Layer thickness micron	Density	In/ outdoor	Water	UV colour fastness	Flame retarding
Iroko tabletop & benches	<ul style="list-style-type: none"> <li>Durability CLASS 1</li> <li>Feels comfortable in all weather conditions</li> <li>Advisable to oil the wood</li> </ul>	20	n.a.	600 à 700 kg/m <sup>3</sup>	Outdoor & indoor	n.a.	Untreated wood turns grey after a while	/
Hellwood tabletop & benches	 <ul style="list-style-type: none"> <li>Durability CLASS 1</li> <li>Carries the PEFC™ label for durable forestry</li> <li>Feels comfortable in all weather conditions</li> <li>Advisable to oil the wood</li> </ul>	20	n.a.	+/- 600 kg/m <sup>3</sup>	Outdoor & indoor	n.a.	Untreated wood turns grey after a while	/
Hot dip galvanised steel legs, frame and backrests	<ul style="list-style-type: none"> <li>Most durable method for protecting metal from rusting</li> <li>Protective layer</li> <li>Very long life span</li> <li>100% recyclable</li> <li>Cradle to Cradle Certified™</li> </ul>	2-6	50 - 100	7,50 10 <sup>3</sup> kg/m <sup>3</sup>	Outdoor & indoor	n.a.	Very good, galvanisation will however become less shiny when used outdoors	NEN-EN13501-1 A1 *
Powder-coated electro galvanised steel frame, bench supports & backrest	<ul style="list-style-type: none"> <li>Easy to clean</li> <li>Electro galvanised (for protection against rust), then powder-coated</li> <li>Scratch-resistant</li> </ul>	4-6	+/- 100	7,50 10 <sup>3</sup> kg/m <sup>3</sup>	Outdoor & indoor	n.a.	Very good: colour can fade to some extent when exposed to UV	NEN-EN13501-1 A1 *
Powder-coated stainless steel legs	<ul style="list-style-type: none"> <li>Easy to clean</li> <li>Stainless steel (for protection against rust), then powder-coated</li> <li>Scratch-resistant</li> </ul>	2	+/- 80	8,00 10 <sup>3</sup> kg/m <sup>3</sup>	Outdoor & indoor	n.a.	Very good: colour can fade to some extent when exposed to UV	NEN-EN13501-1 A1 *
High pressure laminate Lazy Susan	<ul style="list-style-type: none"> <li>Manufactured under high pressure</li> <li>Reinforced with wood fibres</li> <li>Flat panel</li> <li>High impact resistance</li> <li>Easy to clean</li> </ul>	13	n.a.	1,40 10 <sup>3</sup> kg/m <sup>3</sup>	Outdoor & indoor	n.a.	>6 (EN438-2:27) en (ASTM G53-91)	/
Sunbrella cushions	<ul style="list-style-type: none"> <li>100% Sunbrella Acrylic</li> <li>Best outdoor fabric available for making cushions</li> <li>Dirt repellent</li> <li>Not waterproof, store inside!</li> <li>Machine washable at max. 30°C. Ironing restores the protective layer</li> </ul>	0,50	n.a.	260 g/m <sup>2</sup>	Outdoor & indoor	The fabric has a water column of 350 mm (EN 20811)	7/8 (ISO 105-B02)	/

\* NEN-EN13501-1 A1

Class A1 products will not contribute to fire in any stage, including fully developed fire. For this reason, they are assumed to be capable of satisfying all requirements of all lower classes as well.

## Applications

**Residential:** the perfect family picnic table for your terrace, patio or courtyard

**Project:** hotel and catering industry, company terraces, public spaces, squares, event venues, schools, ...

## Good to know

- PEFC™ certified wood originates from sustainably managed forests.
- The hole in the tabletop to place a parasol is in ø65 mm.
- Pantagruel picnic combines perfectly with Inumbra ø35, ø40 & Inumbria ø38. For both combinations, a connection piece is required



- Pantagruel picnic is fitted with a Lazy Susan, a central rotating tray, to easily pass through things. The Lazy Susan can be fixed for use in public spaces



## Floor fastening

Pantagruel comes with an optional floor anchoring set: four steel plates to be fixed with bolts. Use suitable bolts or screws from a DIY store depending on the material your terrace is made of, and combine them with this four-part floor-fastening set.



## Awards



reddot

## F.a.q.

*Q: Do you need to oil the wood?*

*A:* Just like other types of wood, Iroko will gradually become rougher and start to turn grey as a consequence of exposure to the sun and rain. Small cracks and crevices can also appear as part of this process. We strongly advise everyone to treat the furniture with our Wood Protector. This 100% natural oil controls the moisture level within the wood, which makes the planks stay stable for longer, and the layer of oil also helps to prevent spilled liquids from being absorbed, so that stains tend to stay superficial. It is best to repeat this treatment at regular intervals.

## Website

[www.extremis.com/pantagruelpicnic](http://www.extremis.com/pantagruelpicnic)

## Maintenance

Find maintenance instructions at the downloads section of [extremis.com](http://extremis.com) for:

### POWDER-COATED PARTS

- White powder-coating requires more maintenance obviously
- Cleaning stains with a magic eraser

### GALVANISED PARTS

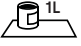
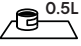

- How to repair a damaged zinc layer

### WOOD

- Cleaning regularly with mild detergent
- Thorough cleaning with Extremis Wood Cleaner
- Oiling the wood with Extremis Wood Protector. We recommend oiling the wood once or twice a year. 1x before the summer and 1x after the summer as protection for the winter.
- In order to smoothen the surface again after a thorough cleaning, lightly sand your wood with 80 grit sanding paper or a sanding pad.

### USAGE ADVISE

- For Extremis Wood Protector:

 1L	5 to 7 wood care treatments
 0.5L	2 to 4 wood care treatments
	150 - 250 ml for one Pantagruel picnic