

systemtronic
datasheet CELES



General description:

Set of tables of different heights and board sizes, combinable with each other.

Two versions available: for covered outdoor areas, fully produced in aluminum and for indoor with MDF tabletop, natural oak or HPL finished and steel tube legs.

Designer: Víctor Carrasco.



Technical description:

Celes for covered outdoor areas:

Materials: aluminum lacquered with thermoset polyester powder coat paint.

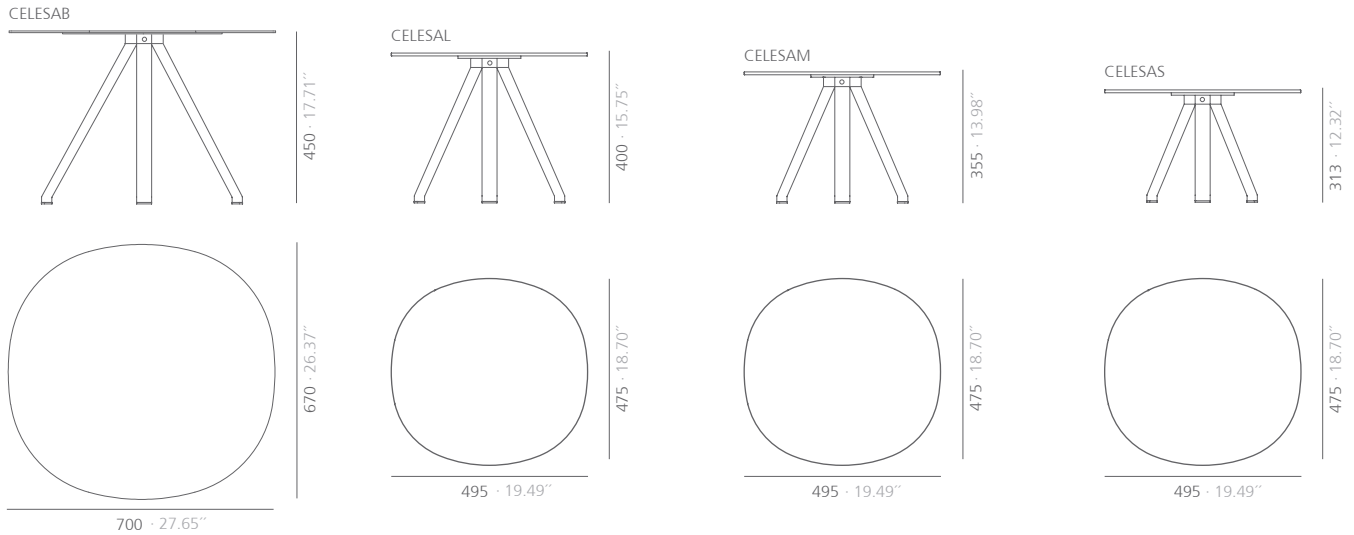
Dimensions: CELESAB: 700x670x450mm 27.55"x26.37"x17.71"; CELESAL: 495x475x400mm 19.48"x18.7"x15.74"; CELESAM: 495x475x355mm 19.48"x18.7"x13.97"; CELESAS: 495x475x313mm 19.48"x18.7"x12.32"

Celes for indoor:

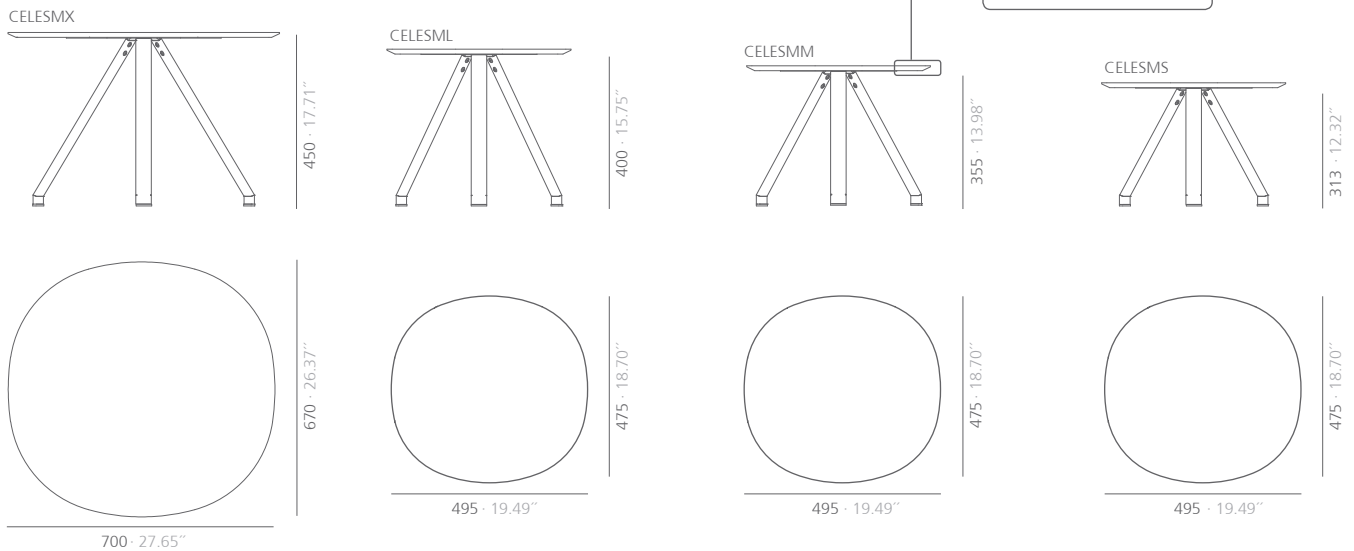
Materials: MDF tabletop of total thickness 12mm with straight edge of 4mm, finished in matte natural oak or HPL (black or white) with steel tube legs lacquered with thermoset polyester powder coat paint.

Dimensions: CELESMX: 700x670x450mm 27.55"x26.37"x17.71"; CELESML: 495x475x400mm 19.48"x18.7"x15.74"; CELESMM: 495x475x355mm 19.48"x18.7"x13.97"; CELESMS: 495x475x313mm 19.48"x18.7"x12.32"

CELES FOR COVERED OUTDOOR
aluminum

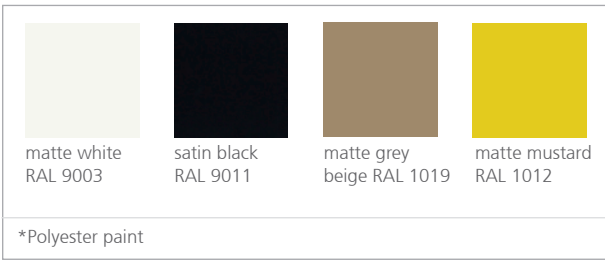


CELES FOR INDOOR
MDF tabletop and steel tube legs



SI units: mm and inches

Finishes:



Finishes:



Consult for special dimensions or any other modification.

Maintenance:

-Wood:

We recommend using a cloth or cleaning products for natural wood. Avoid using products containing solvents and/or alcohol.

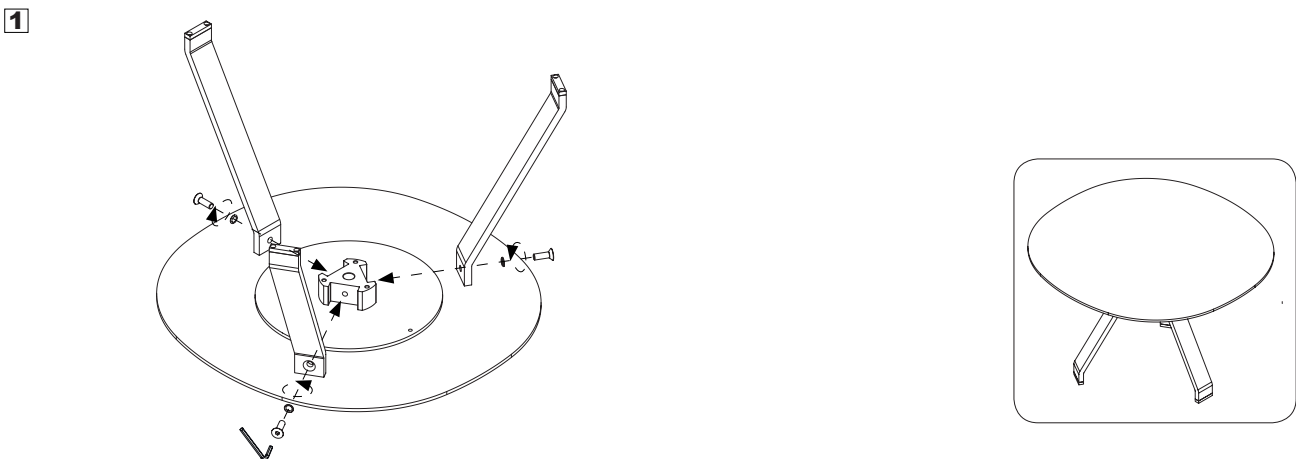
-Polyester Paint:

For dry dirt (dust), use a damp cloth. For greasy/oily stains (fingerprints), wipe with a sponge with water and dishwashing liquid. Rinse with a damp cloth. Avoid using products containing solvents and/or pure ethyl alcohol.

-Aluminium-metal-glass-melamine-plastic:

We recommend using normal cleaning products for delicate surfaces. Alcohol, solvents and abrasive agents must be avoided.

Ceas for covered outdoor areas assembly:



Ceas for indoor areas assembly:

