

TECHNICAL SPECIFICATION

COLOURS

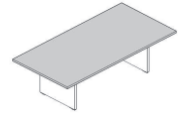
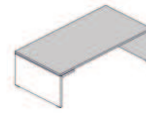
DESKS, CONFERENCE TABLES - WORKTOP



111 LIGHT SYCAMORE



112 DARK SECAMORE



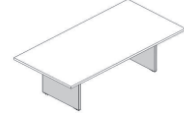
DESKS, CONFERENCE TABLES - BASE HPL



73 HIGH GLOSS WHITE



101 HIGH GLOSS BLACK



COLUMN COLOUR



08 BLACK



09 ALUMINUM



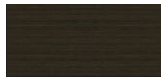
15 HIGH GLOSS WHITE



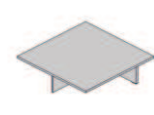
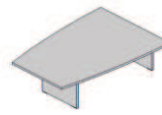
MODULAR TABLES MIT06, MIT07, MIT08



111 LIGHT SYCAMORE



112 DARK SECAMORE



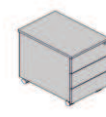
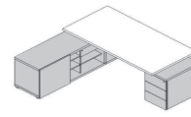
MANAGERIAL STORAGE, PEDESTAL, MOBILE PEDESTAL MIT130



111 LIGHT SYCAMORE



112 DARK SECAMORE



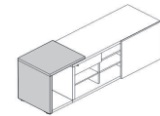
MANAGERIAL STORAGE EXTENSION MIT5



73 HIGH GLOSS WHITE



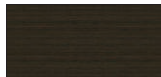
101 HIGH GLOSS BLACK



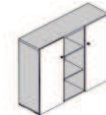
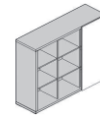
STORAGE - BODY



111 LIGHT SYCAMORE



112 DARK SECAMORE



STORAGE - FRONT (MIT8 , MIT15)



111 LIGHT SYCAMORE



112 DARK SECAMORE



STORAGE - FRONT HPL (MIT7 , MIT18, MIT19, MIT20, MIT21, MIT22)



73 HIGH GLOSS WHITE



101 HIGH GLOSS BLACK



TECHNICAL SPECIFICATION

COLOURS

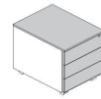
MOBILE PEDESTAL SLD



67 WHITE PASTEL



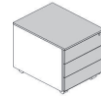
73 HIGH GLOSS WHITE



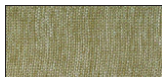
08 BLACK



101 HIGH GLOSS BLACK



CUSHION SKP13 - FABRIC NEMO



NE-1 BEIGE



NE-2 YELLOW



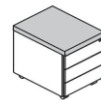
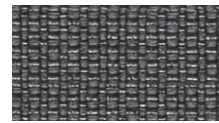
NE-3 ORANGE



NE-5 RED



NE-9 GREEN



NE-10 GREY



NE-14 DARK GREY



NE-15 NAVY BLUE



NE-16 BLACK



NE-17 BLUE

CUSHION SKP13 - FABRIC RUNNER - SECOND GROUP



R-63034 ORANGE



R-64089 RED



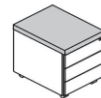
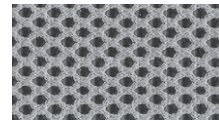
R-66063 BLUE



R-60011 GREY



R-68056 GREEN



R-66064 NAVY-BLUE



R-60999 BLACK



R-60025 DARK GREY



R-61128 BEIGE

CUSHION SKP13 - FABRIC MEDLEY - SECOND GROUP



M-68005 DARK OLIVE



M-68002 LIGHT OLIVE



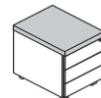
M-68115 GREEN



M-61002 BEIGE



M-67053 NAVY BLUE



M-67006 LIGHT BLUE



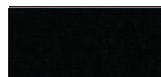
M-66008 GREY



M-6419 RED



M-63064 PINK



M-60999 BLACK

CUSHION SKP13 - FABRIC ATLANTIC - SECOND GROUP



A-67043 DARK TURQUOISE



A-67030 SEA-GREEN



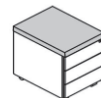
A-6141 LIGHT GREY



A-611 GREY



A-66064 NAVY BLUE



A-65037 VIOLET



A-62048 OLIVE



A-64089 RED



A-61078 BEIGE



A-625 GRAPHITE

TECHNICAL SPECIFICATION

COLOURS

CUSHION SKP13 - FABRIC BLAZER - THIRD PRICE GROUP



CUZ39 ORANGE



CUZ63 RED



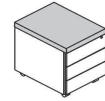
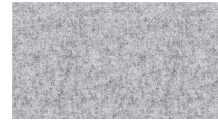
CUZ1L GREEN



CUZ12 GRAPHITE



CUZ02 TURQUOISE



CUZ1V BLUE



CUZ1X PINK



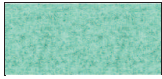
CUZ1G GREY



CUZ28 LIGHT
GREY

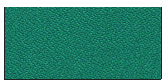


CUZ47 BEIGE

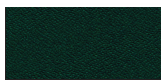


CUZ1R -
SEA-GREEN

CUSHION SKP13 - FABRIC XTREME - THIRD PRICE GROUP



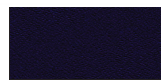
XR160 SEA-GREEN



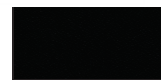
XR430 DARK
TURQUOISE



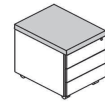
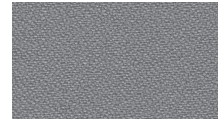
XR026 NAVY BLUE



XR084 VIOLET



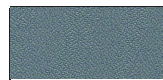
XR9 BLACK



XR420 OLIVE



XR081 DARK GREY



XR094 GREY



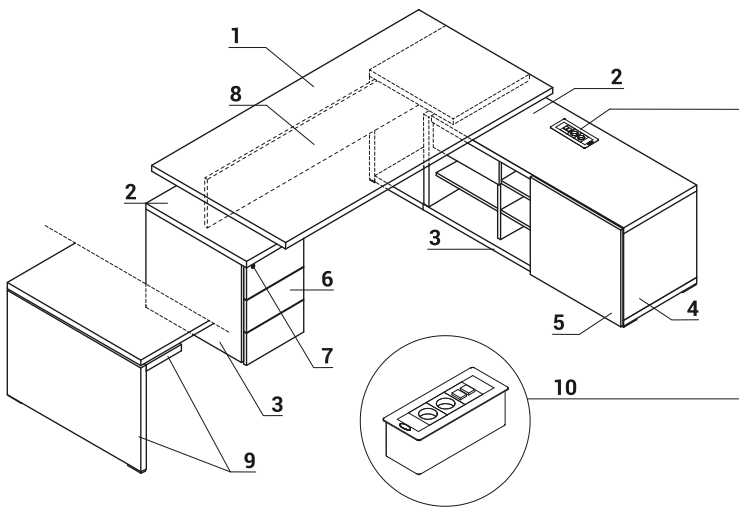
XR108 BEIGE



XR079 RED

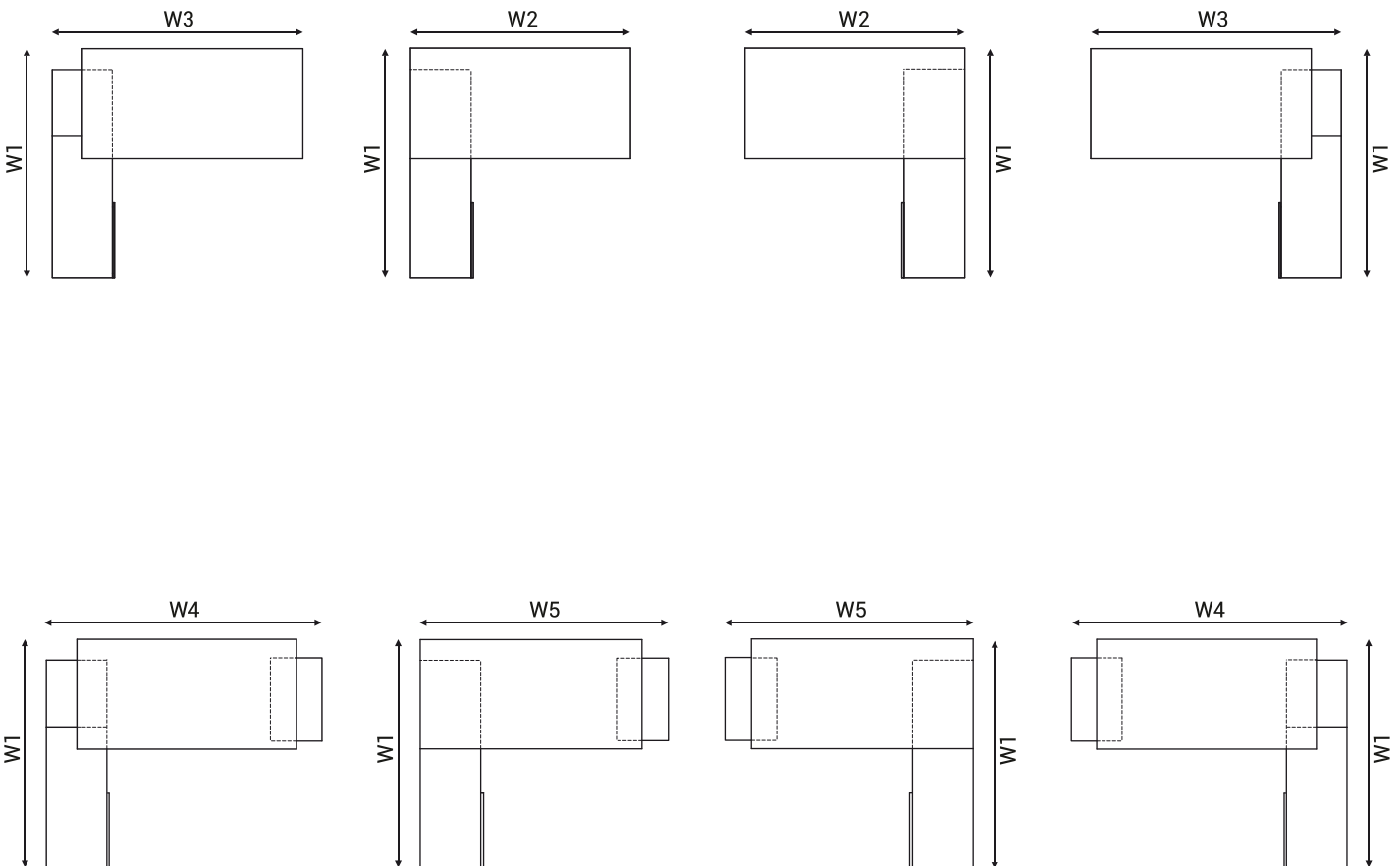
TECHNICAL SPECIFICATION

DESKS



1. **Worktop** - MFC 38mm, PVC edge
2. **Top** - MFC 38mm, PVC edge
3. **Base** - MFC 38mm, PVC edge
4. **Body** - MFC 18mm, PVC edge
5. **Sliding front** - MFC 18mm, PVC edge
6. **Front** - MFC 18mm, PVC edge
7. **Central lock** - foldable key
8. **Modesty panel** - MFC 18mm, PVC edge
9. **HPL base** - high gloss - 38mm
10. **Option with additional charge Mediaport S91E** - 2x 230V, 2x RJ45

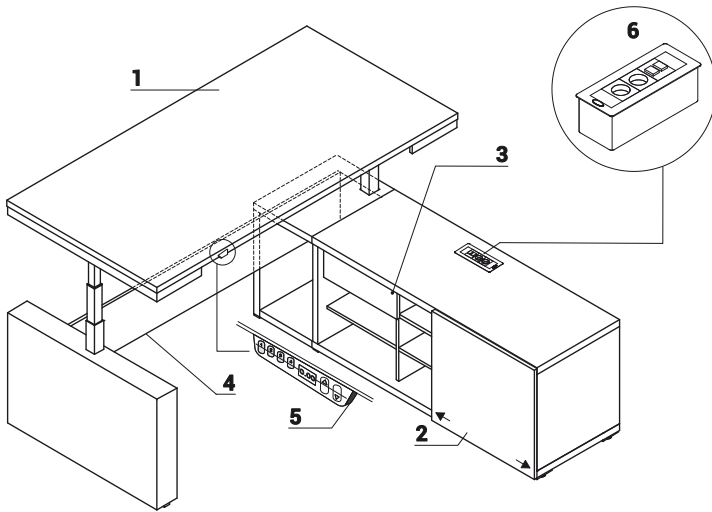
POSSIBLE CONFIGURATIONS



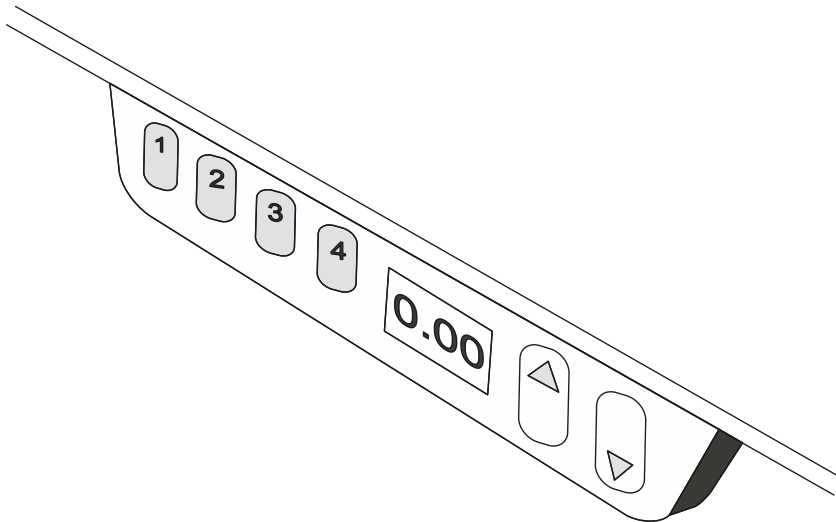
W1 - 2080mm | W2 - 1800/2000 mm | W3 - 2078/2278 mm | W4 - 2297/2497mm | W5 - 2019/2219 mm

TECHNICAL SPECIFICATION

DESK WITH ELECTRIC ADJUSTMENT SIT-STAND



1. **Worktop** - MFC 38mm, PVC edge
2. **Sliding front** - MFC 18mm, PVC edge
3. **Drawer** - MFC 18mm, PVC edge, possible different position
4. **Electric height adjustable base** - powder coated steel, load 100kg, telescopic leg 60/60, 50/50, 40/40mm
5. Control panel
6. **Option with additional charge Mediaport S91E** - 2x 230V, 2x RJ45



FRAME TECHNICAL SPECIFICATION

Height adjustment - 40mm/sec Super Soft Start - Stop

Drive - 2 synchronised motors with microprocessor, work control sensor

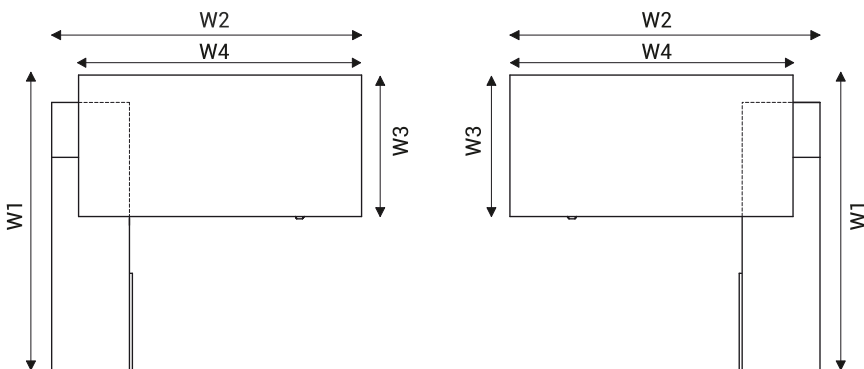
ISP - Intelligent System Protection

Norms - TUV, ISO 21016, EN 527-2, EN 527 -3

EU Directives - 206/95EC, UI508 1999, UL 1004 R7 06, WE DC 2004/108WE

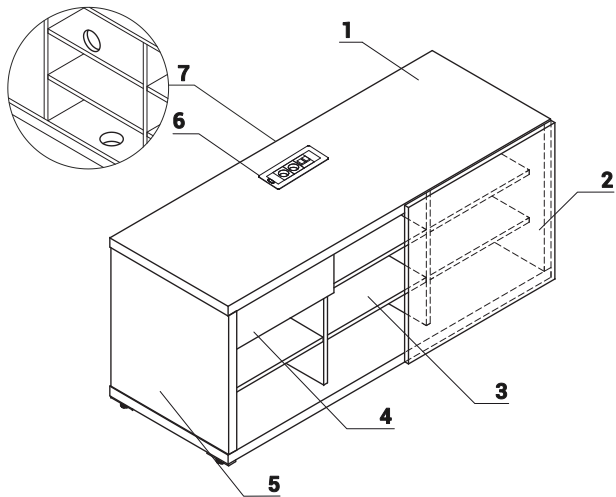
Power supply - 230V, 300W, power consumption on Standby - 0.3W

POSSIBLE CONFIGURATIONS



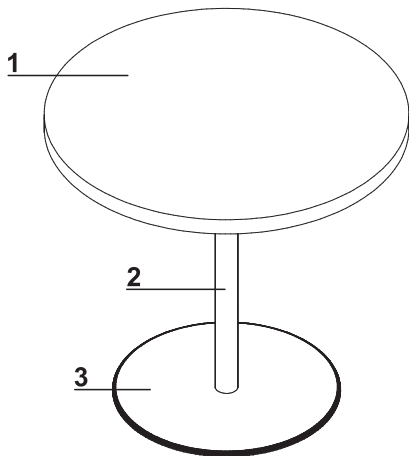
W1 - 2080 mm | W2 - 1990/2190 mm | W3 - 1000 mm | W4 - 1800/2000mm

**TECHNICAL SPECIFICATION
MANAGERIAL STORAGE**



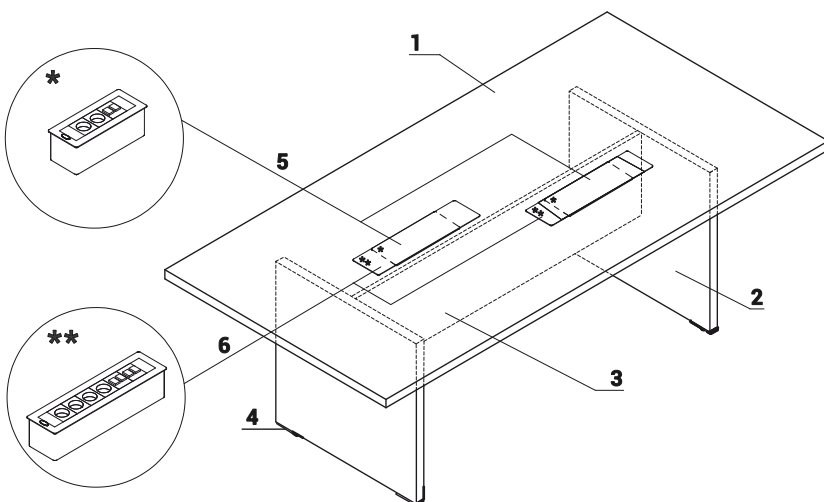
- 1. **Top** - MFC 38mm, PVC edge
- 2. **Front** - MFC 18mm,PVC edge
- 3. **Interior** - MFC 18mm
- 4. **Drawer** - MFC 18mm, PVC edge, lock - possible to change location
- 5. **Side panels** - MFC 38mm, PVC edge
- 6. **Option with additional charge Mediaport S91E** - 2x 230V, 2x RJ45
- 7. **Cable grommets** - Ø80mm

DISC BASE MEETING TABLES



- 1. **Worktop** - MFC 38mm, PVC edge
- 2. **Column** - powder coated steel
- 3. **Disc** - stainless steel

MFC BASE MEETING TABLES

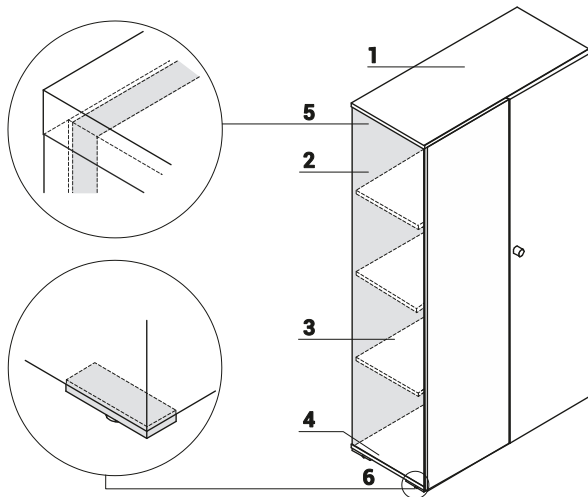


- 1. **Worktop** - MFC 38mm, PVC edge
- 2. **HPL base** - high gloss - 38mm
- 3. **Modesty panel** - MFC 18mm, PVC edge
- 4. **Leveling** - 5mm range
- 5. **Option with additional charge Mediaport S91E** - 2x 230V, 2x RJ45
- 6. **Option with additional charge - Mediaport S92E** - 4x 230V, 4x RJ45

ATTENTION – Modular tables MIT06, MIT07, MIT08 can be order as conference tables with mediaports cutouts. To order add a letter at the end of a product index: Locations: A, B, C (2pcs) - Mediaport S91E / Locations: G, H, K (2pcs) - Mediaport S92E

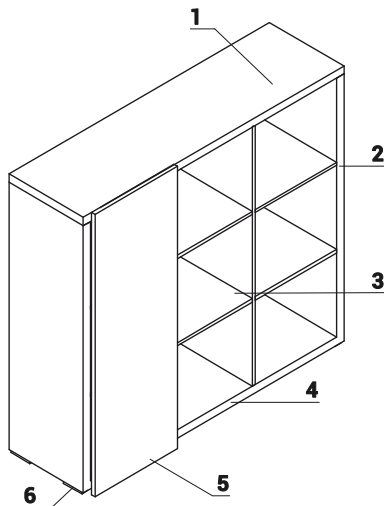
TECHNICAL SPECIFICATION

STORAGES



- 1. **Top** - MFC 18mm, PVC edge
- 2. **Side panels** - MFC 18mm, PVC edge
- 3. **Shelf** - MFC 18mm, PVC edge
- 4. **Base** - MFC 18mm, PVC edge
- 5. **Back MFC** - 18mm, PVC edges
- 6. **Leveling** - 5mm range

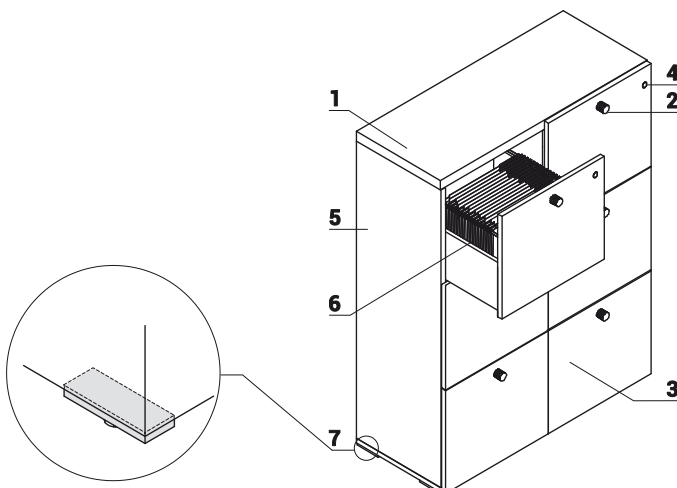
SLIDING DOOR STORAGES



- 1. **Top** - MFC 38mm, PVC edge
- 2. **Side panels** - MFC 38mm, PVC edge
- 3. **Interior** - MFC 18mm
- 4. **Base** - MFC 38mm, PVC edge
- 5. **Sliding front** - MFC 18mm, PVC edge
- 6. **Leveling** - 5mm range

Sliding front storages MIT7 / MIT18

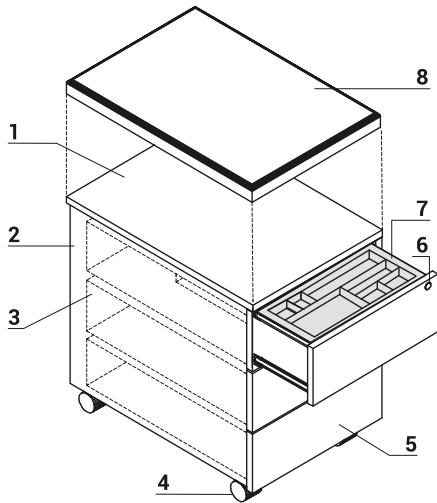
SUSPENSION FILES STORAGE



- 1. **Top** - MFC 38mm, PVC edge
- 2. **Aluminium handle**
- 3. **Front** - HPL - high gloss
- 4. **Central lock** - foldable key
- 5. **Side panels** - MFC 18mm, PVC edge
- 6. **Suspension files drawer** - MFC 18mm, ball runners, max load 45kg, 100% extraction
- 7. **Leveling** - 5mm range

TECHNICAL SPECIFICATION

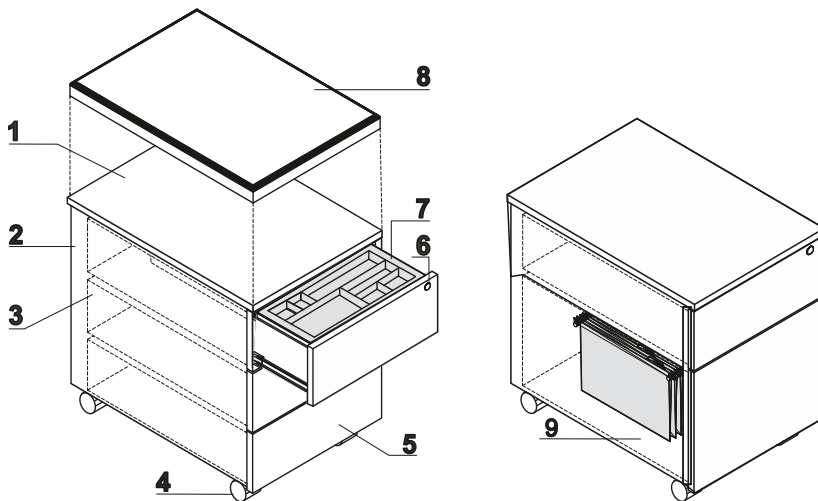
MOBILE PEDESTAL MIT130



1. **Top** - MFC 18mm, PVC edge
2. **Body** - MFC 18mm, PVC edge
3. **MFC drawer** - ball runners, max load 25kg, 100% extraction; Anti - tilt mechanism, soft closing
4. **Castors** - Ø50mm, two with brakes
5. **Front** - MFC 18mm, PVC edge
6. **Central lock** - foldable key
7. **Pencil tray** - black plastic
8. **Cushion SKP13** - for pedstal, order separately, max load 120kg

ATTENTION - no sitting on pedestals without castors support; to be ordered with cushion SKP13

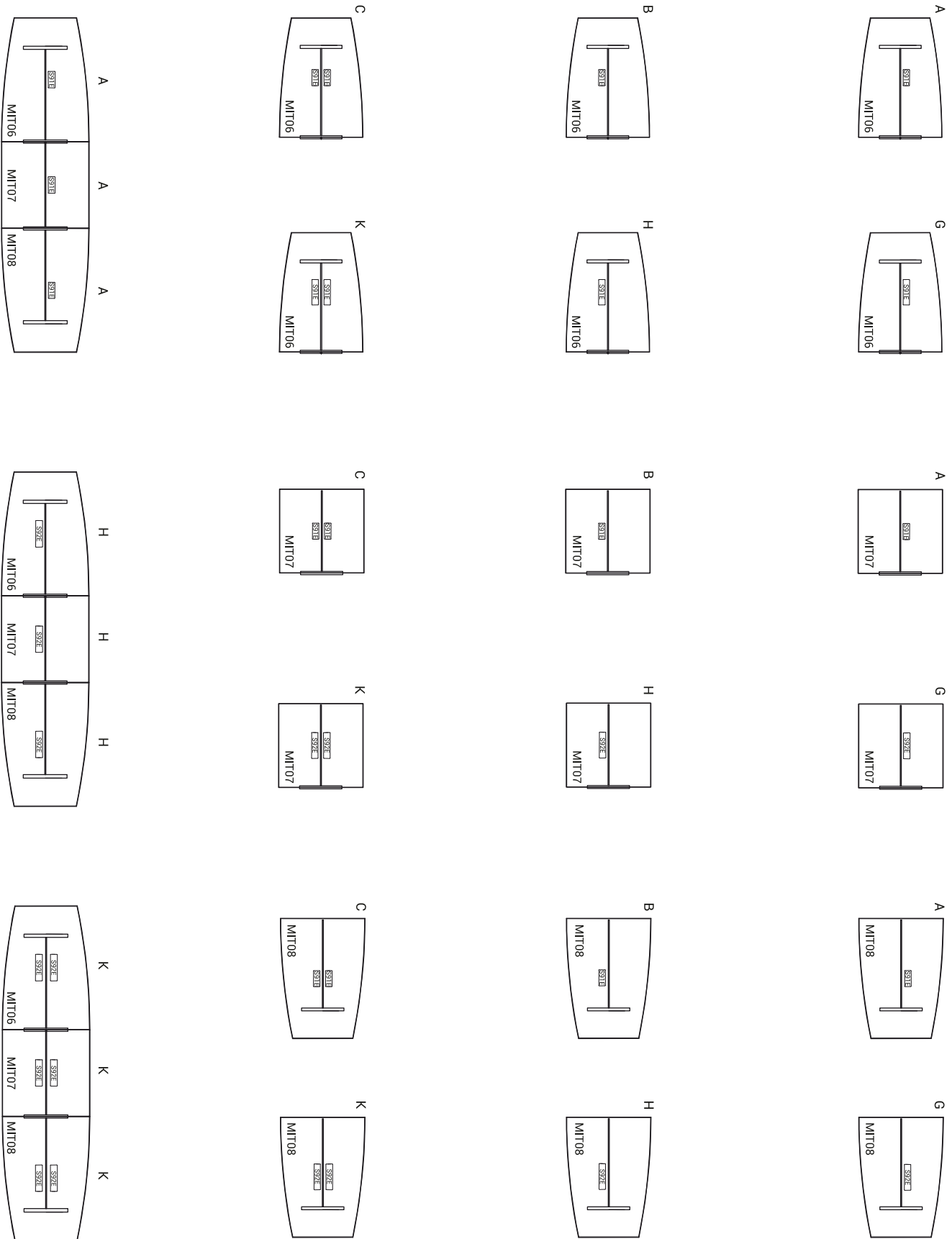
MOBILE PEDESTAL WITHOUT HANDLES



1. **Top** - MFC 18mm, covered with high gloss HPL
2. **Body** - MFC 18mm, PVC edge
3. **Metal drawer** - roll runners, max load 25kg, 80% extraction; Anti - tilt mechanism; OPTIONAL: ball runners, soft closing
4. **Castors** - Ø50mm, two with brakes
5. **Front** - HPL 18mm - high gloss, PVC edge
6. **Central lock** - foldable key
7. **Pencil tray** - black plastic
8. **Cushion SKP13** - for pedstal, order separately, max load 120kg
9. **Suspension files drawer** - ball runners, max load 30kg, 100% extraction, A4 folders must be inserted parallelly to the front

ATTENTION - no sitting on pedestals without castors support; to be ordered with cushion SKP13

POSSIBLE MEDIAPORT LOCATION



TO ORDER PRODUCT WITH MEDIABOX, AT THE END OF THE SYMBOL SHOULD BE ADDED A LETTER (A,B,...) WHICH IS CORRESPONDING TO THE SELECTED CONFIGURATION (EX. X01A)

PRODUCT ILLUSTRATION	DIMENSIONS [mm]			INDEX SYMBOL						COMMENTS
	WIDTH	DEPTH	HEIGHT			kg	m3	pcs		

DESKS

	2000	1000	740	MIT3		97.7	0.274	4		
	1800	1000	740	MIT4		92.7	0.258	4		
	2219	1000	740	MIT3KD		123.7	0.482	4		universal left or right
	2019	1000	740	MIT4KD		118.7	0.465	4		universal left or right

DESK EXTENSION

	1200	600	740	MIT12		32.4	0.085	3		MIT3 and MIT4 - not possible to fix from HPL panel side
--	------	-----	-----	--------------	--	------	-------	---	--	---

DESK PAD

	416	600	5	S100		1.0	0.001	0		eco leather- color black
--	-----	-----	---	-------------	--	-----	-------	---	--	--------------------------

DESCRIPTION

- NET WEIGHT

VOLUME

NUMBER OF PACKAGES

PRODUCT ILLUSTRATION	DIMENSIONS [mm]			INDEX SYMBOL						COMMENTS
	WIDTH	DEPTH	HEIGHT			kg	m3	pcs		

DESKS WITH MANAGERIAL SIDE STORAGE

	2278 2000	2080	740	MIT1		201.1	0.517	11		drawer with lock, universal system left or right
	2078 1800	2080	740	MIT2		196.1	0.501	11		drawer with lock, universal system left or right
	2497 2219	2080	740	MIT1KD		221.1	0.696	11		drawer with lock, universal system left or right
	2297 2019	2080	740	MIT2KD		216.1	0.679	11		drawer with lock, universal system left or right

DESKS WITH ELECTRIC HEIGHT ADJUSTMENT AND MANAGERIAL SIDE STORAGE

	2190	2080	760 1300	MIT1RL		316.9	1.448	14		drawer with lock, universal system left or right
	2190	2080	760 1300	MIT1RP		316.9	1.448	14		drawer with lock, universal system left or right
	1990	2080	760 1300	MIT2RL		306.4	1.383	14		drawer with lock, universal system left or right
	1990	2080	760 1300	MIT2RP		306.4	1.383	14		drawer with lock, universal system left or right

DESCRIPTION

- NET WEIGHT

VOLUME

NUMBER OF PACKAGES

PRODUCT ILLUSTRATION	DIMENSIONS [mm]			INDEX SYMBOL						COMMENTS
	WIDTH	DEPTH	HEIGHT			kg	m3	pcs		
MANAGERIAL STORAGE										
	1887	572	690	MIT5		120.4	0.280	8		storage with HPL extension, drawer with lock, sliding door
	1500	572	652	MIT6		98.0	0.233	4		drawer with lock, sliding door
MOBILE PEDESTAL WITHOUT HANDLES WITH HPL TOP AND FRONT										
	416	600	587	SLD12HT		23.0	0.158	1		mobile with suspension files drawer, drawers depth - 500mm
	416	600	587	SLD13HT		23.0	0.158	1		drawers depth - 500mm
MOBILE PEDESTAL WITHOUT HANDLES										
	428	600	586	MIT120		32.0	0.154	1		
	428	600	586	MIT130		35.0	0.154	1		
PEDESTAL CUSHION										
	400	600	52	SKP13		3.0	0.017	1		

DESCRIPTION

- NET WEIGHT

VOLUME

NUMBER OF PACKAGES

PRODUCT ILLUSTRATION	DIMENSIONS [mm]			INDEX SYMBOL						COMMENTS
	WIDTH	DEPTH	HEIGHT			kg	m3	pcs		

MEETING TABLES

	800	800	740	MIT10		36.0	0.107	3		column ø 50 mm, disc ø 500 mm
	1200	1200	740	MIT17		64.0	0.150	3		column ø 100 mm, disc ø 620 mm
	1000	600	450	MIT9		33.0	0.091	3		
	1400	1400	740	MIT07		67.4	0.184	4		middle element of conference table – mediaport location A, B,G,H (1qty) or C,K (2qty)
	2000	1400 1000	740	MIT06		89.2	0.275	3		beginning element of conference table – mediaport location A, B,G,H (1qty) or C,K (2qty)
	2000	1400 1000	740	MIT08		77.2	0.252	3		ending element of conference table – mediaport location A, B,G,H (1qty) or C,K (2qty)
	2200	1100	740	MIT11		89.0	0.252	2		

DESCRIPTION

- NET WEIGHT

VOLUME

NUMBER OF PACKAGES

PRODUCT ILLUSTRATION	DIMENSIONS [mm]			INDEX SYMBOL						COMMENTS
	WIDTH	DEPTH	HEIGHT			kg	m3	pcs		

STORAGES

	916	418	879	MIT21		49.0	0.117	1		
	1400	422	879	MIT18		72.0	0.175	3		sliding door
	980	418	1280	MIT22		87.0	0.572	1		file drawers
	1363	418	1280	MIT20		84.0	0.211	2		
	1400	422	1280	MIT7		98.0	0.226	3		sliding door
	916	418	1661	MIT16		81.0	0.265	3		doors with transparent tempered glass and aluminum frame
	916	418	1661	MIT15		80.0	0.229	2		filing cabinet
	916	418	1661	MIT8		69.0	0.151	2		wardrobe/storage cabinet with slide-out hanger
	916	418	2077	MIT19		98.0	0.266	3		filing cabinet

DESCRIPTION

- NET WEIGHT

VOLUME

NUMBER OF PACKAGES

PRODUCT ILLUSTRATION	DIMENSIONS [mm]			INDEX SYMBOL						COMMENTS
	WIDTH	DEPTH	HEIGHT			kg	m3	pcs		

ACCESSORIES

	267	110	93	S91E		1.0	0.010	1		2 x 230V - 2 x RJ45
	426	110	93	S92E		1.0	0.014	1		4 x 230V - 4 x RJ45

DESCRIPTION

- NET WEIGHT

VOLUME

NUMBER OF PACKAGES

